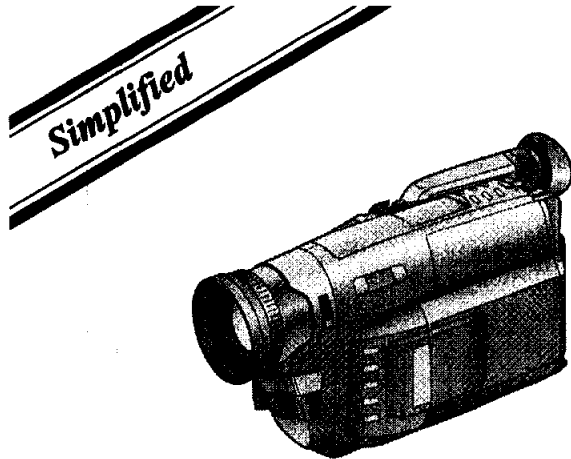


Service Manual

VHS-C Movie



NV-VX37EN/ENH/A

NV-VX54B

NV-VX57EG/E/EN

/ENH/A

DL-MECHANISM

SPECIFICATIONS

ITEM	SPECIFICATION	ITEM	SPECIFICATION	
POWER	Source: Battery Pack; 7.2 V DC AC Adaptor; 7.9 V DC Consumption (Battery Operation) ; 5.1 W (When using Finder) ; 6.1 W (When using LCD Monitor)	VIDEO	HEADS: 4 Rotary heads, 1 flying erase head	
		AUDIO	OUTPUT: PHONO CONNECTOR; 1.0 Vp-p 75 Ω terminated	
VIDEO RECORDING SYSTEM	4 rotary heads, helical scanning system PAL	HEADS: 1 Stationary head (Normal-Mono)	OUTPUT: PHONO CONNECTOR; -6 dB (47kΩ loaded)/less than 1 kΩ	
TAPE FORMAT	VHS-C Cassette Tape (Tape width 12.7 mm)	INPUT: MIC IN; -70dBV, 4.7kΩ or more, unbalanced	OPERATING TEMPERATURE	
TAPE SPEED	SP mode : 23.3 mm/s LP mode : 11.7 mm/s (Except NV-VX57EG/E) Record/Playback Time: SP mode ; 1 hour with NV-EC60 LP mode ; 2 hours with NV-EC60 (Except NV-VX57EG/E) FF/REW Time: less than 6.5 min. with NV-EC45XG	OPERATING TEMPERATURE	0-40 °C	
		OPERATING HUMIDITY	10-80 %	
CAMERA	PICK-UP ELEMENT: CCD (Charge Coupled Device)	WEIGHT	Approx. 860g (without Battery Pack): NV-VX37EN/ENH/A Only Approx. 870g (without Battery Pack): Except NV-VX37EN/ENH/A	
		STANDARD ACCESSORIES	102 (W) X 127 (H) X 263 (D) mm	
				STANDARD ILLUMINATION: 1,400 lx
				MINIMUM REQUIRED ILLUMINATION: 0.7 lx (Low Light Mode)
				LENS: 22 : 1 Power Zoom Lens F1.6 Focal Length: 3.7-81.4 mm Digital AI Auto Focus/Auto Iris Filter Diameter ; 43 mm
IMAGE SENSOR: 1/4-inch CCD Image Sensor				
FINDER	0.5-inch Electronic Finder			
MONITOR	2.5-inch Colour LCD Monitor (NV-VX37EN/ENH/A Only) 3-inch Colour LCD Monitor (Except NV-VX37EN/ENH/A)			

Weight and dimensions shown are approximate.
Specifications are subject to change without notice.

Panasonic

© 1999 Matsushita Electric Industrial Co., Ltd. All rights reserved. Unauthorized copying and distribution is a violation of law.

⚠ WARNING

This service information is designed for experienced repair technicians only and is not designed for use by the general public. It does not contain warnings or cautions to advise non-technical individuals of potential dangers in attempting to service a product. Products powered by electricity should be serviced or repaired only by experienced professional technicians. Any attempt to service or repair the product or products dealt with in this service information by anyone else could result in serious injury or death.

CONTENTS

	Page		Page
1 INTRODUCTION	3	7.6. LENS DRIVE SCHEMATIC DIAGRAM	25
1.1. INTRODUCTION 1	3	7.7. CAMERA OP. UNIT SCHEMATIC DIAGRAM	25
1.2. INTRODUCTION 2	3	7.8. MIC UNIT SCHEMATIC DIAGRAM	25
2 COMPARISON CHART	4	7.9. MONITOR & SENSOR FLEX. CARD SCHEMATIC DIAGRAM	26
2.1. COMPARISON CHART FOR NV-VX37 & NV-RX67 SERIES	4	8 CIRCUIT BOARD ASSEMBLIES	27
2.2. COMPARISON CHART FOR NV-VX54/57 & NV-RX64/67 SERIES	6	8.1. CAMERA/MAIN C.B.A. ADDRESS INFORMATIONS	27
3 HOW TO REPLACE THE LITHIUM BATTERY (PROCEDURE) ..	9	8.2. CAMERA/MAIN [COMPONENT SIDE] C.B.A. (VEP23474F:NV-VX37/57EN/ENH/A, VEP23474M:NV- VX54B, VEP23474K:NV-VX57EG/E)	28
4 DISASSEMBLY PROCEDURES	10	8.3. CAMERA/MAIN [FOIL SIDE] C.B.A. (VEP23474F:NV- VX37/57EN/ENH/A, VEP23474M:NV-VX54B, VEP23474K:NV-VX57EG/E)	29
5 WAVEFORM TABLE	14	8.4. MONITOR C.B.A. (VEP26215A)	30
6 BLOCK DIAGRAMS	15	8.5. MIC UNIT (VEK8760)	30
6.1. MONITOR BLOCK DIAGRAM	15	9 EXPLODED VIEWS & PARTS LIST	31
7 SCHEMATIC DIAGRAMS	17	9.1. FRAME & CASING SECTION (1)	31
7.1. CAMERA SCHEMATIC DIAGRAM	17	9.2. FRAME & CASING SECTION (2)	31
7.2. LUMINANCE/CHROMINANCE & AUDIO SCHEMATIC DIAGRAM	18	9.3. PACKING PARTS & ACCESSORIES SECTION	32
7.3. SYSTEM CONTROL & SERVO SCHEMATIC DIAGRAM	19	10 ELECTRICAL REPLACEMENT PARTS LIST	33
7.4. POWER SCHEMATIC DIAGRAM	23		
7.5. LCD SCHEMATIC DIAGRAM	24		

1 INTRODUCTION

1.1. INTRODUCTION 1

This service manual contains technical information which will allow service personnel's to understand and service the VHS-C Movie model NV-VX37, VX54 and VX57 series.

This service manual is based on NV-RX64/67 series.

So, please refer to the NV-RX64/67 series Service Manual Order No. : VMD9903005C8

Note 1:

Adjustment procedure for Mechanism-Chassis is separate volume.

Please refer to following manual for detail of adjustment procedure for Mechanism-Chassis.

Order number for adjustment procedure of Mechanism-Chassis. : VMD9412M130

Note 2:

These movie camera uses AC Adaptor are VSK0541 & VSK0545.

VSK0541 : Used by NV-VX37EN/ENH, NV-VX54B and NV-VX57EG/E/EN/ENH.

VSK0545 : Used by NV-VX37A and NV-VX57A.

The service manual for AC Adaptor is separate volume.

Order number for AC Adaptor VSK0541 (VW-AS7) : VMD9812066C8

Order number for AC Adaptor VSK0545 : VMD9903013A8

1.2. INTRODUCTION 2

Note 1:

NV-VX37EN

NV-VX37EN series has to versions depends on countries.

Detail as follows.

Model No. (Version)	NV-VX37EN	NV-VX37ENH
PACKING CASE	VPG9905	VPG9906
AC CORD	VJA0664	VJA0940

Note 2:

NV-VX57EN

NV-VX57EN series has to versions depends on countries.

Detail as follows.

Model No. (Version)	NV-VX57EN	NV-VX57ENH
PACKING CASE	VPG9910	VPG9911
AC CORD	VJA0664	VJA0940

2 COMPARISON CHART

2.1. COMPARISON CHART FOR NV-VX37 & NV-RX67 SERIES

This chart described different part from the original model to new model as shown below.

Original Model : NV-RX67 series

New Model : NV-VX37 series

NOTE: IMPORTANT NOTICE

Components identified with Δ have special characteristics for safety.
When replacing any components, use only the same parts.

Comparison chart : NV-VX37 & NV-RX67 series.

Comparison chart of Mechanical replacement parts. <A>...Added, <C>...Changed, <D>...Deleted.

	Ref. No.	Parts No. for NV-RX67	Parts No. for NV-VX37	Pcs/ Set	Parts Name & Description	Remarks	
	41 (1)	VEG1486	VEG1486	1	CYLINDER U.		<C>
	319 (5)	VYQ1753	VYQ1758	1	MAIN FRAME U.		<C>
	320 (5)	VYK8851	VYK8940	1	FRONT CASE (1) U.		<C>
	330 (5)	—	VKM5206	1	SIDE CASE (L)		<A>
	336 (5)	VYK8843	VYK8938	1	CASSETTE COVER (1) U.		<C>
	337 (5)	VGU8068	VGU7603	1	CASSETTE LOCK BUTTON		<C>
	339 (5)	VYK9031	VKM5198	1	SIDE CASE (R)		<C>
	340 (5)	VKM5130	VKM5219	1	TOP CASE		<C>
	342 (5)	VKF3020	VKF3089	1	CURSOR		<C>
	345 (5)	VXU1519	VXU1540	1	VTR OP. U.		<C>
	352 (5)	VGQ5183	—	1-0	LCD PANEL HOLDER		<D>
	353 (5)	VGQ5314	—	1-0	LCD PANEL BARRIER		<D>
	354 (5)	VSL0517	—	1-0	LCD PANEL U.		<D>
	355 (5)	VXU1523	VXU1527	1	CAMERA OP. U.		<C>
	357 (5)	VXP1945	VXP1936	1	MF RING U.		<C>
	B302 (5)	XQN2+CF7FZ	XQN2+CF55FN	2	SCREW		<C>
	B303 (5)	XQN2+CJ6FZ	XQN2+CJ6FZ	13-12	SCREW		<C>
	B304 (5)	XQN2+CJ8F	XQN2+CJ8FN	1	SCREW		<C>
	B318 (5)	XQN2+BJ4	—	8-0	SCREW		<D>
	389 (5)	—	VKW2607	0-1	DIGITAL WINDOW		<A>
	390 (5)	—	VGQ4546	0-1	STAND		<A>
	391 (5)	—	VGQ4772	0-1	STAND HOLDER		<A>
	392 (5)	—	VMC1254	0-1	STAND SPRING		<A>
	393 (5)	—	EDTCA29QA0	0-1	LCD MODULE		<A>
	361 (5)	—	VEK8266	0-1	BACK LIGHT U.		<A>
	362 (5)	—	VGQ3457	0-1	PROTECT SHEET		<A>
	363 (5)	—	VGQ5340	0-1	LCD SPACER		<A>
	364 (5)	—	VMP5893	0-1	HINGE MOUNT PLATE		<A>
	365 (5)	—	VMZ2886	0-1	INSULATION SHEET		<A>
	366 (5)	—	VSC4869	0-1	LCD SHIELD PLATE		<A>
	367 (5)	—	VEE0F36	0-1	MONITOR CONNECTOR U.		<A>
	368 (5)	—	VGQ4775	0-1	WIRE PROTECTION PIECE		<A>
	369 (5)	—	VGQ4854	0-1	WIRE BLINDING SHEET		<A>
	370 (5)	—	VGQ5308	0-1	HINGE COVER (UPPER)		<A>
	371 (5)	—	VGQ5309	0-1	HINGE COVER (LOWER)		<A>
	372 (5)	—	VXD0297	0-1	LCD ROTATION HINGE (1) U.		<A>
	373 (5)	—	VKM5111	0-1	LCD CASE (LOWER)		<A>
	374 (5)	—	VGQ5196	0-1	LCD LOCK LEVER		<A>
	375 (5)	—	VHD1093	0-1	LCD LOCK SHAFT		<A>
	376 (5)	—	VMB3145	0-1	LCD LOCK SPRING		<A>
	377 (5)	—	VMP5617	0-1	LCD LOCK PLATE		<A>

Ref. No.	Parts No. for NV-RX67	Parts No. for NV-VX37	Pcs/ Set	Parts Name & Description	Remarks	
378 (5)	—	VGQ5195	0-1	HINGE HOLDER		<A>
379 (5)	—	VSQ1041	0-2	LCD ROTATION MAGNET		<A>
380 (5)	—	VGQ4826	0-1	PROTECT SHEET		<A>
381 (5)	—	VYK9083	0-1	LCD CASE (UPPER) 1U.		<A>
382 (5)	—	VGQ5386	0-1	WIRE BARRIER		<A>
383 (5)	—	VMP5616	0-1	HINGE HOLDER FIX PLATE		<A>
384 (5)	—	VGQ4904	0-1	PROTECTION BARRIER		<A>
385 (5)	—	VMZ2821	0-1	BARRIER		<A>
386 (5)	—	VEK8401	0-1	SPEAKER U.		<A>
387 (5)	—	VMC1085	0-1	SPEAKER HOLDER		<A>
B330 (5)	—	VHD0768	0-3	SCREW		<A>
B321 (5)	—	XQN2+BJ5	0-4	SCREW		<A>
B322 (5)	—	XQN2+AJ4	0-6	SCREW		<A>
B323 (5)	—	XQN2+BF4FZ	0-3	SCREW		<A>
B324 (5)	—	XQN2+B35FN	0-4	SCREW		<A>
B325 (5)	—	XQN2+CF4	0-1	SCREW		<A>
B326 (5)	—	XQN2+BJ6	0-4	SCREW		<A>
B328 (5)	—	XQN2+CJ6FN	0-1	SCREW		<A>
B329 (5)	—	XQN2+CJ8	0-1	SCREW		<A>
652 (6)	VPN5109	VPN5156	1	CUSHION (LOWER)		<C>
653 (6)	—	VPG9905	1	PACKING	NV-VX37EN	<A>
653 (6)	—	VPG9906	1	PACKING	NV-VX37ENH	<A>
653 (6)	—	VPG9907	1	PACKING	NV-VX37A	<A>
△ 655 (6)	VJA0664	VJA0664	1	AC CORD	NV-VX37EN	<C>
△ 655 (6)	VJA0940	VJA0940	1	AC CORD	NV-VX37ENH	<C>
△ 655 (6)	—	VJA0754	1	AC CORD	NV-VX37A	<A>
659 (6)	VPN5108	VPN5108	1	ACCESSORIES BOX		<C>
△ 660 (6)	—	VQT8037	1	OPERATING INSTRUCTIONS (ENGLISH/CHINESE/RUSSIAN/ARABIC)	NV-VX37EN/ENH	<A>
△ 660 (6)	—	VQT8038	1	OPERATING INSTRUCTIONS (ENGLISH)	NV-VX37A	<C>
663 (6)	VGQ6813	—	1-0	REMOTE CONTROLLER HOLDER		<D>
664 (6)	VEQ1697	EUR646570	1	REMOTE CONTROLLER		<C>
665 (6)	VJF1262	—	1-0	BATTERY COVER		<D>
667 (6)	—	VFC1792	0-1	CLEANING TISSUE		<A>

Comparison chart of Electrical replacement parts. <A>...Added, <C>...Changed, <D>...Deleted.

Ref. No.	Parts No. for NV-RX67	Parts No. for NV-VX37	Pcs/ Set	Parts Name & Description	Remarks	
	VEP23474C	VEP23474F	1	CAMERA/MAIN C.B.A.	(RTL)	<C>
	—	VEP26215A	0-1	MONITOR C.B.A.	(RTL)	<A>
	—	VEP06C50A	0-1	SENSOR FLEX. CARD	(RTL)	<A>
	VEP00Z89A	—	1-0	SMALL LCD DRIVE C.B.A.		<D>
	VEK8615	VEK8760	1	MIC UNIT		<C>

2.2. COMPARISON CHART FOR NV-VX54/57 & NV-RX64/67 SERIES

This chart described different part from the original model to new model as shown below.

Original Model : NV-RX64/RX67 series

New Model : NV-VX54/VX57 series

NOTE: IMPORTANT NOTICE

Components identified with Δ have special characteristics for safety.
When replacing any components, use only the same parts.

Comparison chart : NV-VX54/57 & NV-RX64/67 series.

Comparison chart of Mechanical replacement parts. <A>...Added, <C>...Changed, <D>...Deleted.

Ref. No.	Parts No. for NV-RX64/67	Parts No. for NV-VX54/57	Pcs/ Set	Parts Name & Description	Remarks	
41 (1)	VEG1485	VEG1485	1	CYLINDER U.	NV-VX57EG/E	<C>
41 (1)	VEG1486	VEG1486	1	CYLINDER U.	EXCEPT NV-VX57EG/E	<C>
319 (5)	VYQ1753	VYQ1759	1	MAIN FRAME U.	NV-VX54B, VX57EG/E	<C>
319 (5)	—	VYQ1758	1	MAIN FRAME U.	NV-VX57EN/ENH/A	<C>
320 (5)	VYK8851	VYK8940	1	FRONT CASE (1) U.		<C>
330 (5)	VYK9069	VYK9071	1	SIDE CASE (L) (1) U.	NV-VX54B, VX57EG/E	<C>
330 (5)	—	VKM5206	1	SIDE CASE (L)	NV-VX57EN/ENH/A	<A>
336 (5)	VYK8843	VYK8947	1	CASSETTE COVER (1) U.	EXCEPT NV-VX54B	<C>
336 (5)	VYK8844	VYK8952	1	CASSETTE COVER (1) U.	NV-VX54B	<C>
337 (5)	VGU8068	VGU7603	1	CASSETTE LOCK BUTTON		<C>
339 (5)	VYK9031	VYK9128	1	SIDE CASE (R) 1U.	NV-VX54B, VX57EG/E	<C>
339 (5)	—	VKM5198	1	SIDE CASE (R)	NV-VX57EN/ENH/A	<A>
340 (5)	VKM5130	VKM5219	1	TOP CASE		<C>
342 (5)	VKF3020	VKF3089	1	CURSOR		<C>
345 (5)	VXU1519	VXU1540	1	VTR OP. U.	EXCEPT NV-VX57EG/E	<C>
345 (5)	VXU1520	VXU1541	1	VTR OP. U.	NV-VX57EG/E	<C>
352 (5)	VGQ5183	—	1-0	LCD PANEL HOLDER		<D>
353 (5)	VGQ5314	—	1-0	LCD PANEL BARRIER		<D>
354 (5)	VSL0517	—	1-0	LCD PANEL U.		<D>
355 (5)	VXU1523	VXU1527	1	CAMERA OP. U.		<C>
357 (5)	VXP1945	VXP1936	1	MF RING U.		<C>
B302 (5)	XQN2+CF7FZ	XQN2+CF55FN	2	SCREW		<C>
B303 (5)	XQN2+CJ6FZ	XQN2+CJ6FZ	13-12	SCREW		<C>
B304 (5)	XQN2+CJ8F	XQN2+CJ8FN	1	SCREW		<C>
B318 (5)	XQN2+BJ4	—	8-0	SCREW		<D>
389 (5)	—	VKW2607	0-1	DIGITAL WINDOW		<A>
390 (5)	—	VGQ4546	0-1	STAND		<A>
391 (5)	—	VGQ4772	0-1	STAND HOLDER		<A>
392 (5)	—	VMC1254	0-1	STAND SPRING		<A>
393 (5)	—	EDTCA22QA0	0-1	LCD MODULE		<A>
361 (5)	—	VEK8174	0-1	BACK LIGHT U.		<A>
362 (5)	—	VGQ3457	0-1	PROTECT SHEET		<A>
364 (5)	—	VMP5893	0-1	HINGE MOUNT PLATE		<A>
365 (5)	—	VMZ2886	0-1	INSULATION SHEET		<A>
366 (5)	—	VSC4870	0-1	LCD SHIELD PLATE		<A>
367 (5)	—	VEE0F36	0-1	MONITOR CONNECTOR U.		<A>
368 (5)	—	VGQ4775	0-1	WIRE PROTECTION PIECE		<A>
369 (5)	—	VGQ4854	0-1	WIRE BLINDING SHEET		<A>
370 (5)	—	VGQ5308	0-1	HINGE COVER (UPPER)		<A>
371 (5)	—	VGQ5309	0-1	HINGE COVER (LOWER)		<A>
372 (5)	—	VXD0297	0-1	LCD ROTATION HINGE (1) U.		<A>
373 (5)	—	VKM5112	0-1	LCD CASE (LOWER)		<A>
374 (5)	—	VGQ5196	0-1	LCD LOCK LEVER		<A>
375 (5)	—	VHD1093	0-1	LCD LOCK SHAFT		<A>

Ref. No.	Parts No. for NV-RX64/67	Parts No. for NV-VX54/57	Pcs/ Set	Parts Name & Description	Remarks	
376 (5)	—	VMB3145	0-1	LCD LOCK SPRING		<A>
377 (5)	—	VMP5617	0-1	LCD LOCK PLATE		<A>
378 (5)	—	VGQ5195	0-1	HINGE HOLDER		<A>
379 (5)	—	VSQ1041	0-2	LCD ROTATION MAGNET		<A>
380 (5)	—	VGQ4826	0-1	PROTECT SHEET		<A>
381 (5)	—	VYK9084	0-1	LCD CASE (UPPER) 1U.	NV-VX57EG/E	<A>
381 (5)	—	VYK9085	0-1	LCD CASE (UPPER) 1U.	NV-VX54B	<A>
381 (5)	—	VYK9086	0-1	LCD CASE (UPPER) 1U.	NV-VX57A/EN/ENH	<A>
382 (5)	—	VGQ5386	0-1	WIRE BARRIER		<A>
383 (5)	—	VMP5616	0-1	HINGE HOLDER FIX PLATE		<A>
384 (5)	—	VGQ4904	0-1	PROTECTION BARRIER		<A>
385 (5)	—	VMZ2821	0-1	BARRIER		<A>
386 (5)	—	VEK8401	0-1	SPEAKER U.		<A>
387 (5)	—	VMC1085	0-1	SPEAKER HOLDER		<A>
B330 (5)	—	VHD0768	0-3	SCREW		<A>
B321 (5)	—	XQN2+BJ5	0-4	SCREW		<A>
B322 (5)	—	XQN2+AJ4	0-6	SCREW		<A>
B323 (5)	—	XQN2+BF4FZ	0-3	SCREW		<A>
B324 (5)	—	XQN2+B35FN	0-4	SCREW		<A>
B325 (5)	—	XQN2+CF4	0-1	SCREW		<A>
B326 (5)	—	XQN2+BJ6	0-4	SCREW		<A>
B328 (5)	—	XQN2+CJ6FN	0-1	SCREW		<A>
B329 (5)	—	XQN2+CJ8	0-1	SCREW		<A>
652 (6)	VPN5109	VPN5156	1	CUSHION (LOWER)		<C>
653 (6)	VPG9822	VPG9908	1	PACKING	NV-VX57EG	<C>
653 (6)	VPG9823	VPG9909	1	PACKING	NV-VX54B	<C>
653 (6)	VPG9936	VPG9932	1	PACKING	NV-VX57E	<C>
653 (6)	—	VPG9910	1	PACKING	NV-VX57EN	<A>
653 (6)	—	VPG9911	1	PACKING	NV-VX57ENH	<A>
653 (6)	—	VPG9912	1	PACKING	NV-VX57A	<A>
△ 655 (6)	VJA0664	VJA0664	1	AC CORD	NV-VX57EG/E/EN	<C>
△ 655 (6)	VJA0940	VJA0940	1	AC CORD	NV-VX54B, NV-VX57ENH	<C>
△ 655 (6)	—	VJA0754	1	AC CORD	NV-VX57A	<A>
659 (6)	VPN5108	VPN5108	1	ACCESSORIES BOX	NV-VX57EG/E/A/EN/ENH	<C>
659 (6)	VPN5108	VPN5178	1	ACCESSORIES BOX	NV-VX54B	<C>
△ 660 (6)	VQT7857	VQT8039	1	OPERATING INSTRUCTIONS (GERMAN/FRENCH/DUTCH/DANISH)	NV-VX57EG/E	<C>
△ 660 (6)	VQT7859	VQT8041	1	OPERATING INSTRUCTIONS (ENGLISH)	NV-VX54B	<C>
△ 660 (6)	VQT7858	VQT8040	1	OPERATING INSTRUCTIONS (ITALIAN DUTCH/DANISH/SWEDISH)	NV-VX57E	<C>
△ 660 (6)	—	VQT8037	1	OPERATING INSTRUCTIONS (ENGLISH/CHINESE/RUSSIAN/ARAB IC)	NV-VX57EN/ENH	<A>
△ 660 (6)	—	VQT8038	1	OPERATING INSTRUCTIONS (ENGLISH)	NV-VX57A	
663 (6)	VGQ6813	—	1-0	REMOTE CONTROLLER HOLDER		<D>
664 (6)	VEQ1697	EUR646570	1	REMOTE CONTROLLER		<C>
665 (6)	VJF1262	—	1-0	BATTERY COVER		<D>
666 (6)	—	VFA0152	0-1	21-PIN ADAPTOR	NV-VX57EG/E	<A>
667 (6)	—	VFC1792	0-1	CLEANING TISSUE		<A>

Comparison chart of Electrical replacement parts. <A>...Added, <C>...Changed, <D>...Deleted.

Ref. No.	Parts No. for NV-RX64/67	Parts No. for NV-VX54/57	Pcs/ Set	Parts Name & Description	Remarks	
	VEP23474C	VEP23474K	1	CAMERA/MAIN C.B.A.	(RTL) NV-VX57EG/E	<C>
		VEP23474M	1	CAMERA/MAIN C.B.A.	(RTL) NV-VX54B	<C>
		VEP23474F	1	CAMERA/MAIN C.B.A.	(RTL) NV-VX57EN/ENH/A	<C>
	—	VEP26215A	0-1	MONITOR C.B.A.	(RTL)	<A>
	—	VEP06C50A	0-1	SENSOR FLEX.CARD	(RTL)	<A>
	VEP00Z89A	—	1-0	SMALL LCD DRIVE C.B.A.		<D>
	VEK8615	VEK8760	1	MIC UNIT		<C>

3 HOW TO REPLACE THE LITHIUM BATTERY (PROCEDURE)

1. Remove the Rear Case Unit.

(Remove the 1 Screw from Rear Case Unit)

2. Remove the Lithium Battery "ML2020" and then replace the new one. (See Fig. B1.)

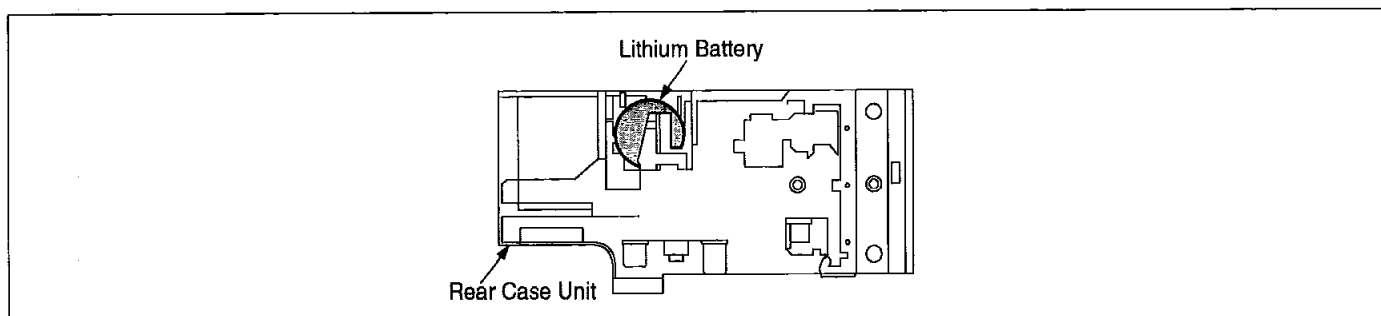


Fig. B1

Note:

The lithium battery is a critical component. (Type No.: ML2020 Manufactured by Panasonic.)

It must never be subjected to excessive heat or discharge.

It must therefore only be fitted in equipment designed specifically for its use.

Replacement batteries must be of the same type and manufacture.

They must be fitted in the same manner and location as the original battery, with the correct polarity contacts observed.

Do not attempt to re-charge the old battery or re-use it for any other purpose.

It should be disposed of in waste products destined for burial rather than incineration.

CAUTION

Danger of explosion if battery is incorrectly replaced.

Replace only with the same or equivalent type recommended by the equipment manufacturer.

Discard used batteries according to manufacturer's instructions.

VARNING

Explosionsfara vid felaktigt batteribyte.

Använd samma batterityp eller en ekvivalent typ som rekommenderas av apparattillverkaren.

Kassera använt batteri enligt fabrikantens instruktion.

ADVARSEL!

Lithiumbatteri - Eksplosionsfare ved fejlagtig håndtering.

Udskiftning må kun ske med batteri af samme fabrikat og type.

Levér det brugte batteri tilbage til leverandøren.

VAROITUS

Paristo voi räjähtää, jos se on virheellisesti asennettu.

Vaihda paristo ainoastaan laitevalmistajan suositteluun tyypin. Hävitä käytetty paristo valmistajan ohjeiden mukaisesti.

4 DISASSEMBLY PROCEDURES

Flow-Chart for Disassembly Procedure

No.	Item/Part	Fig.	Removal (Screw)
1	Side Case (L) Unit	Fig.1	1-Screw (A) 2-Screws (B)
		Fig.2	6-Screws (C) 1-Screw (D)
		Fig.3	2-Locking Tabs (a) Slightly open the Side Case (L) Unit. Disconnect P1001, FP6004 and P4101.
2	EVF Unit	Fig.4	4-Locking Tabs (b)
3	Cassette Cover Unit	Fig.5	2-Screws (E)
4	Side Case (R) Unit with VTR/Camera Operation Unit	Fig.6	2-Screws (F) 4-Locking Tabs (c) 1-Locking Tab (e) Slightly open the Side Case (R) Unit with VTR/Camera Operation Unit. Disconnect FP6003, FP6006, P601 and P602.
5	Front Case Unit	Fig.6	3-Locking Tabs (d)
6	Rear Case Unit	Fig.7	1-Screw (G) Disconnect PS1003 and PS3009. 1-Locking Tab (f)
7	Camera/Main C.B.A.	Fig.7	1-Screw (H) 2-Screws (I) Remove the Shield Case. Disconnect the following connectors; FP5001, FP6001, FP6002, PP301, FP2001, FP2002, FP701, FP4001, FP4002
8	Lens Unit	Fig.8	2-Screws (J)
9	Mechanism Unit	Fig.8	1-Screw (K) 1-Screw (L)
10	Eye Cap Unit	Fig.9	Turn the Eye Cap Unit counterclockwise and remove it.
11	E.V.F. C.B.A.	Fig.10	Turn the EVF Fixing Piece clockwise until you can see a Screw (M). 3-Locking Tabs (g)
12	LCD Unit	Fig.11	Remove the Barrier. 4-Screws (N)
		Fig.12	2-Screws (O) Remove the Hinge Holder Unit and Hinge Mount Plate.
		Fig.13	4-Screws (P) Remove the LCD Case (Upper) Unit.
		Fig.14	Disconnect FP902. Remove the Sensor Flex. Card. Unsolder the lead wire from the Monitor C.B.A. Disconnect P901, P902 and FP901.
		Fig.15	1-Screw (Q) Remove the LCD Hinge Unit and Monitor C.B.A.
		Fig.16	Remove the Insulation Sheet. 1-Screw (R) Remove the LCD Shield Plate, Back Light Unit, LCD Module, LCD Spacer, LCD Case (Lower) Unit.

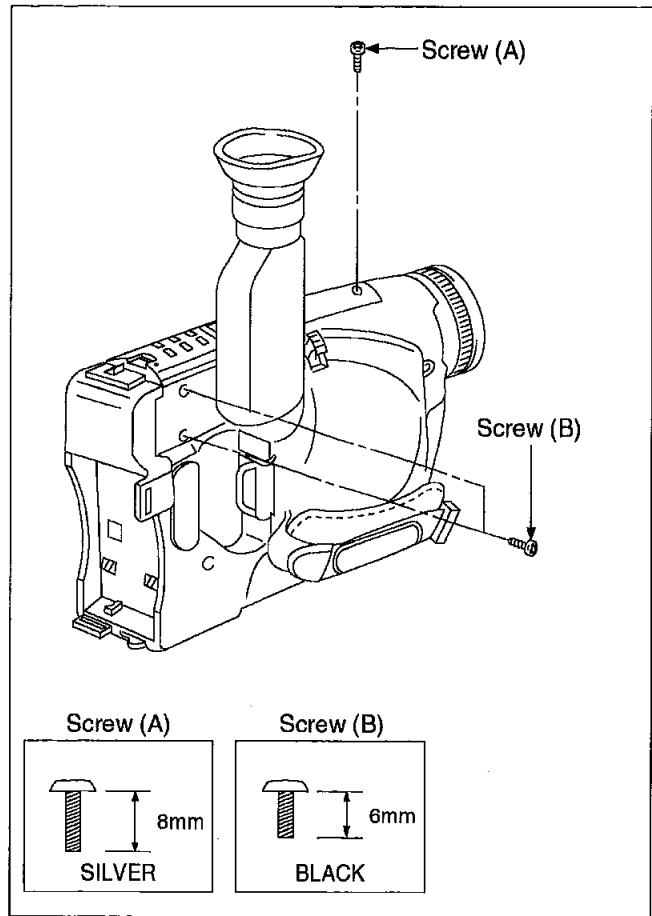


Fig.1

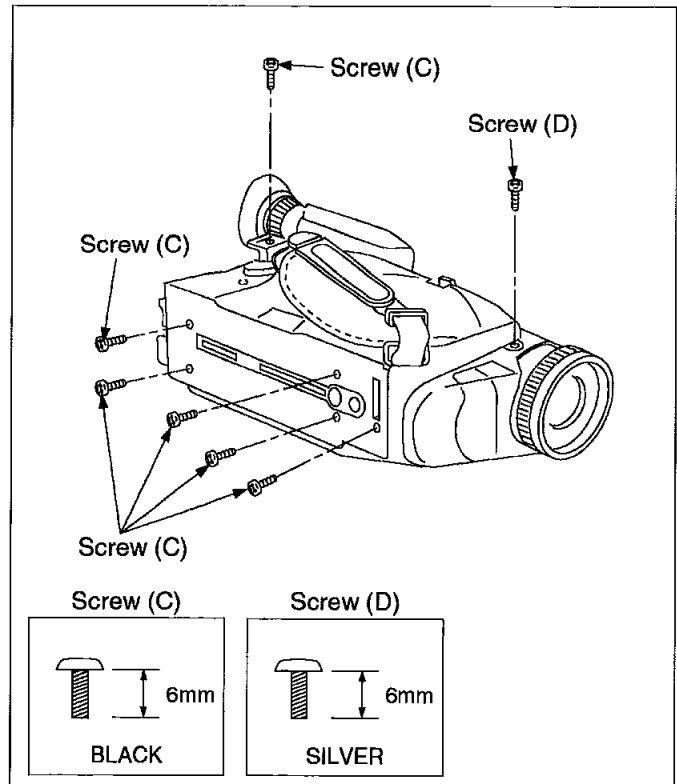


Fig.2

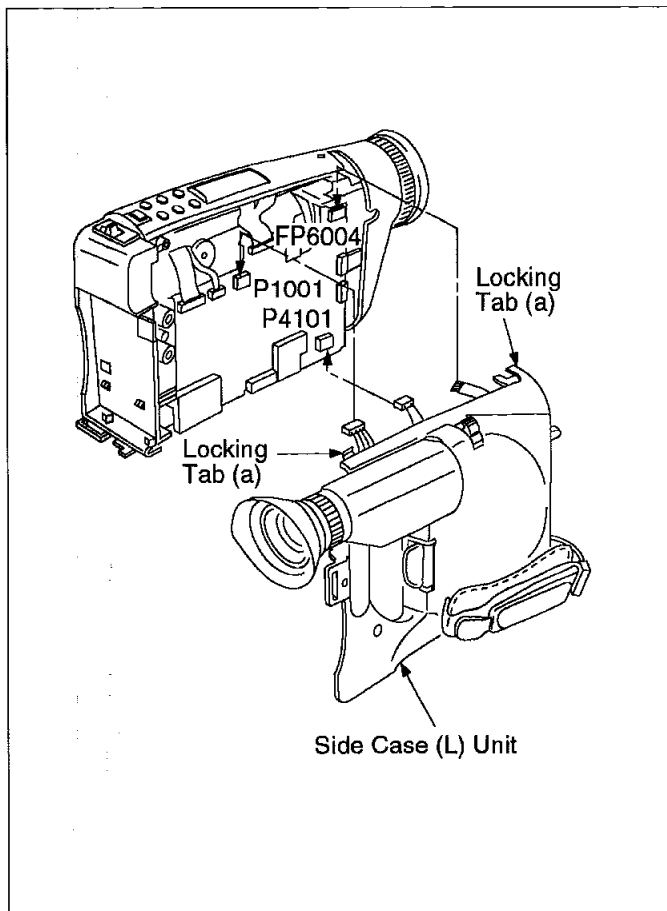


Fig.3

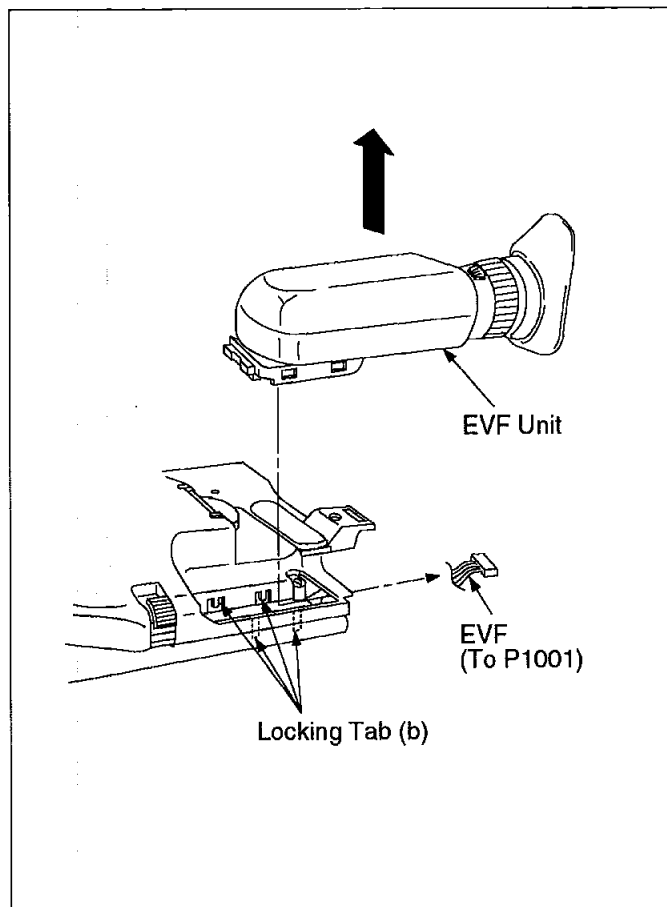


Fig.4

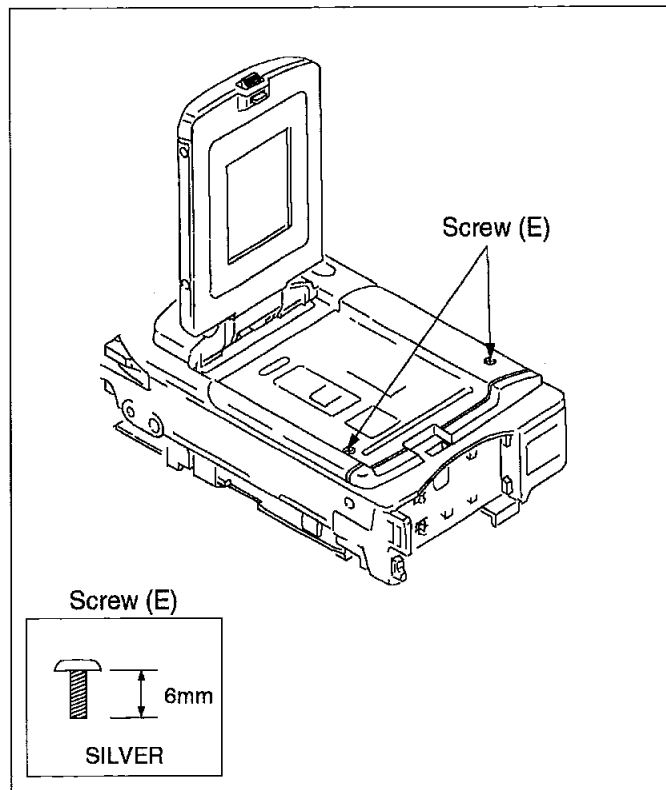


Fig.5

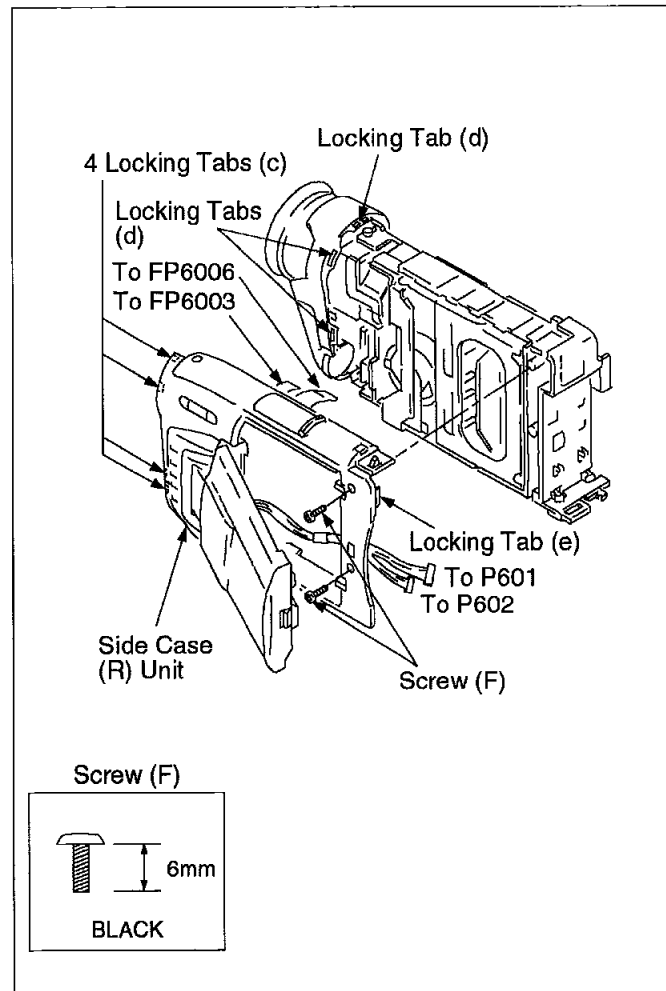


Fig.6

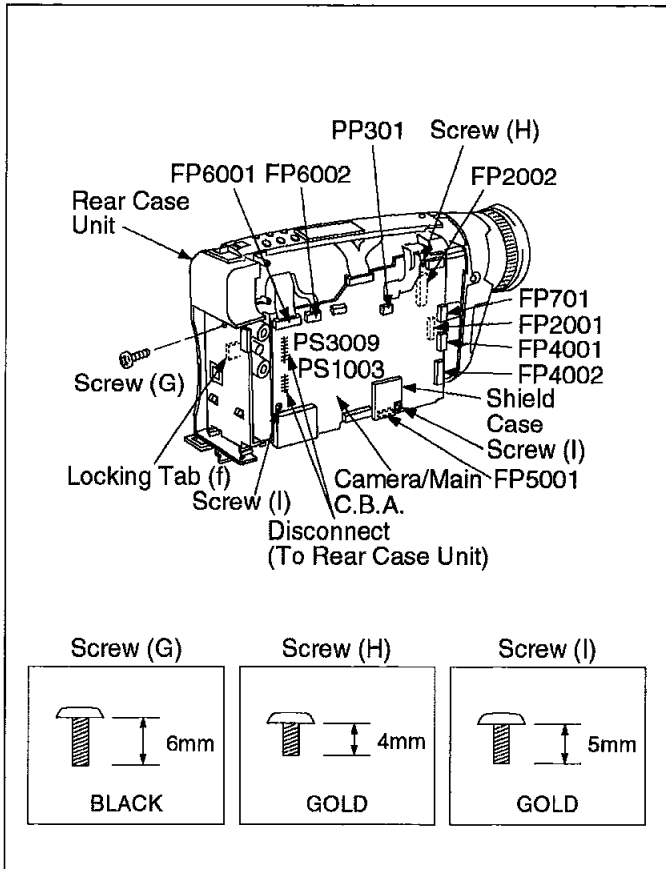


Fig.7

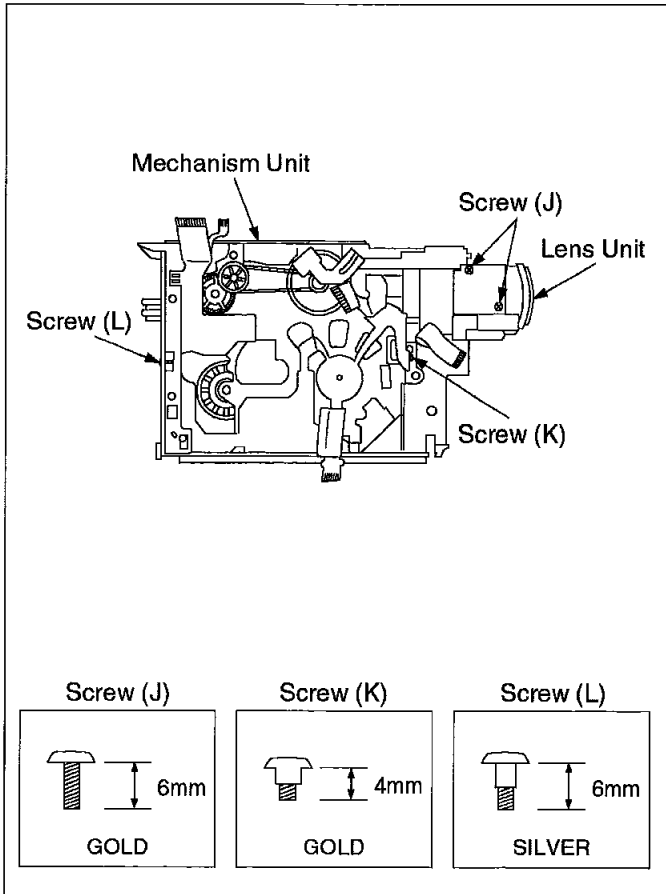


Fig.8

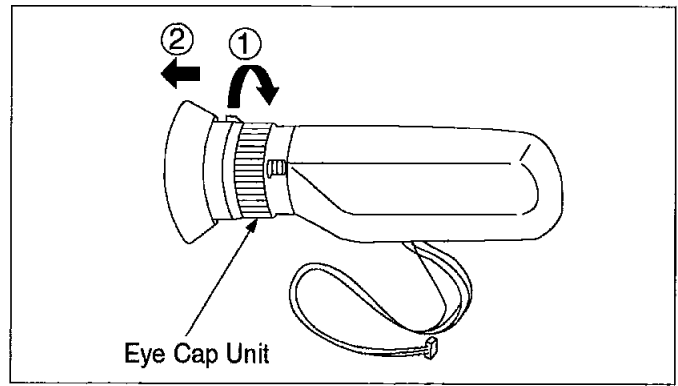


Fig.9

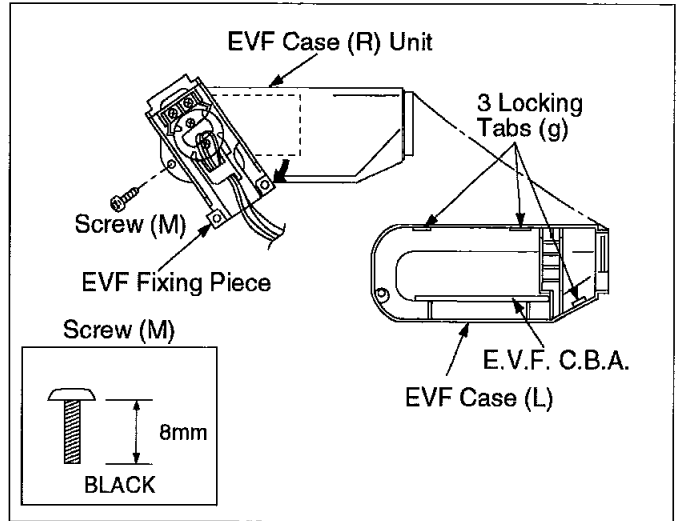


Fig.10

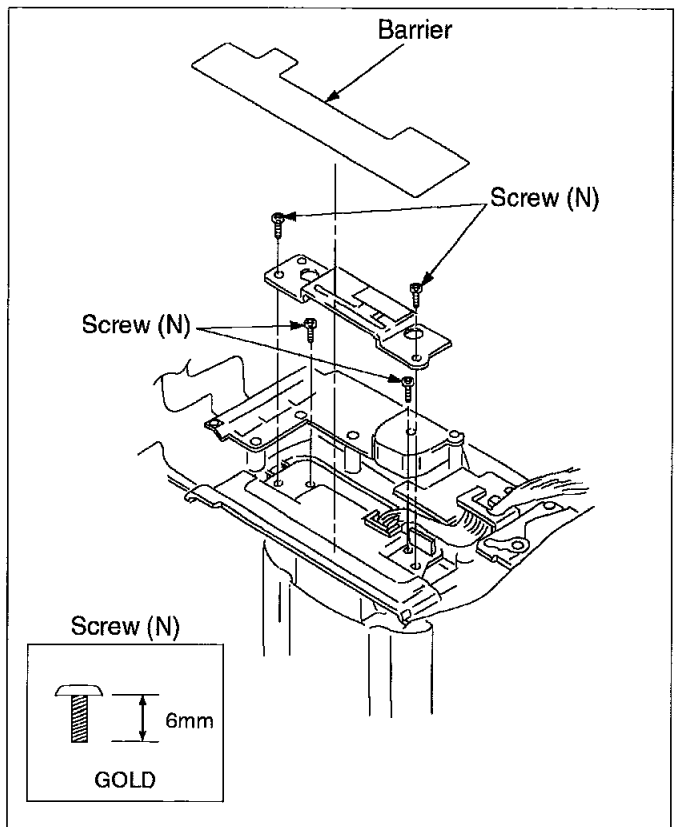


Fig.11

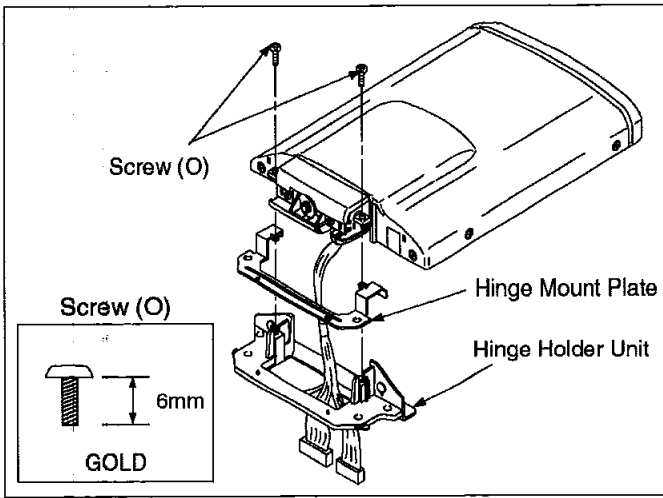


Fig.12

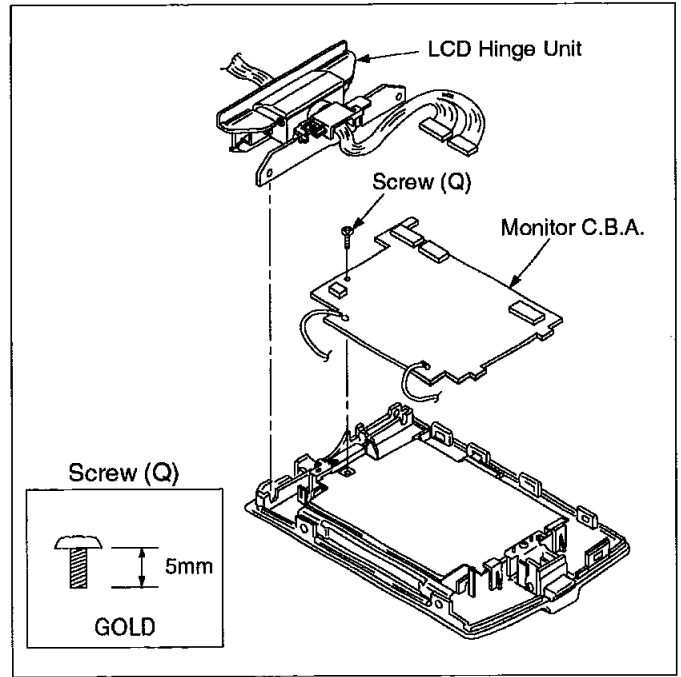


Fig.15

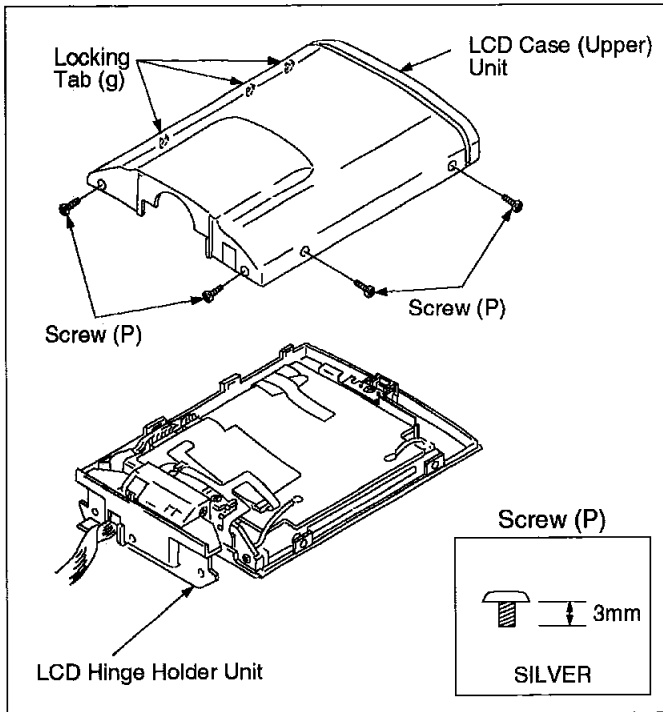


Fig.13

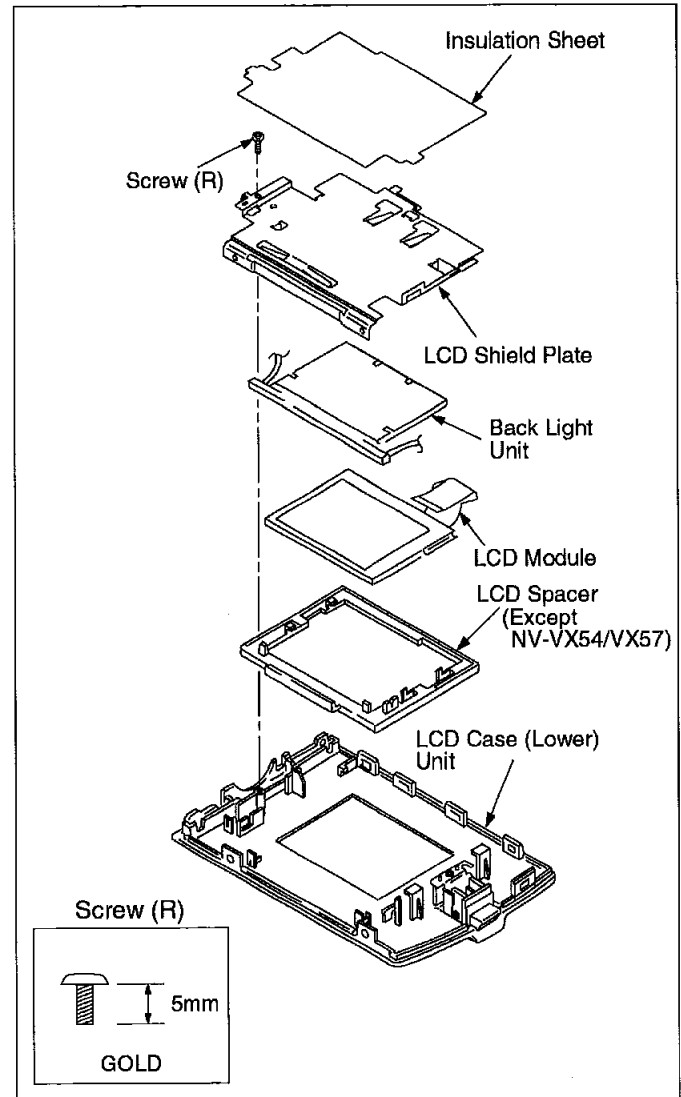


Fig.16

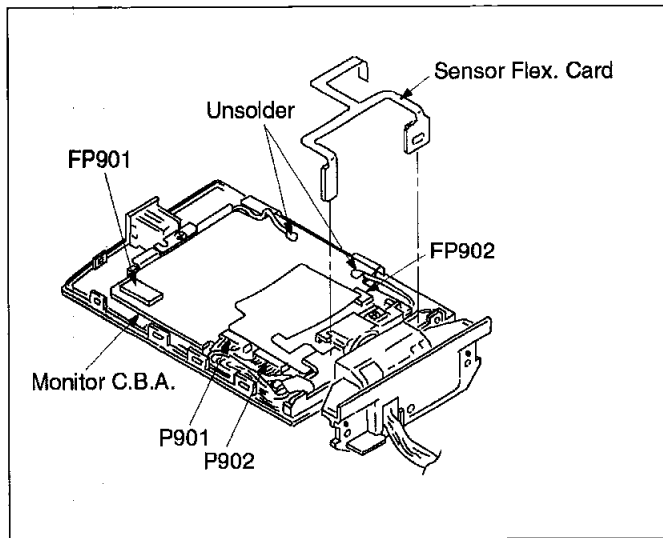

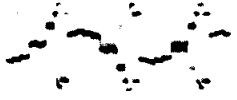

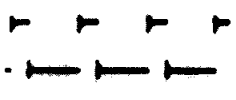










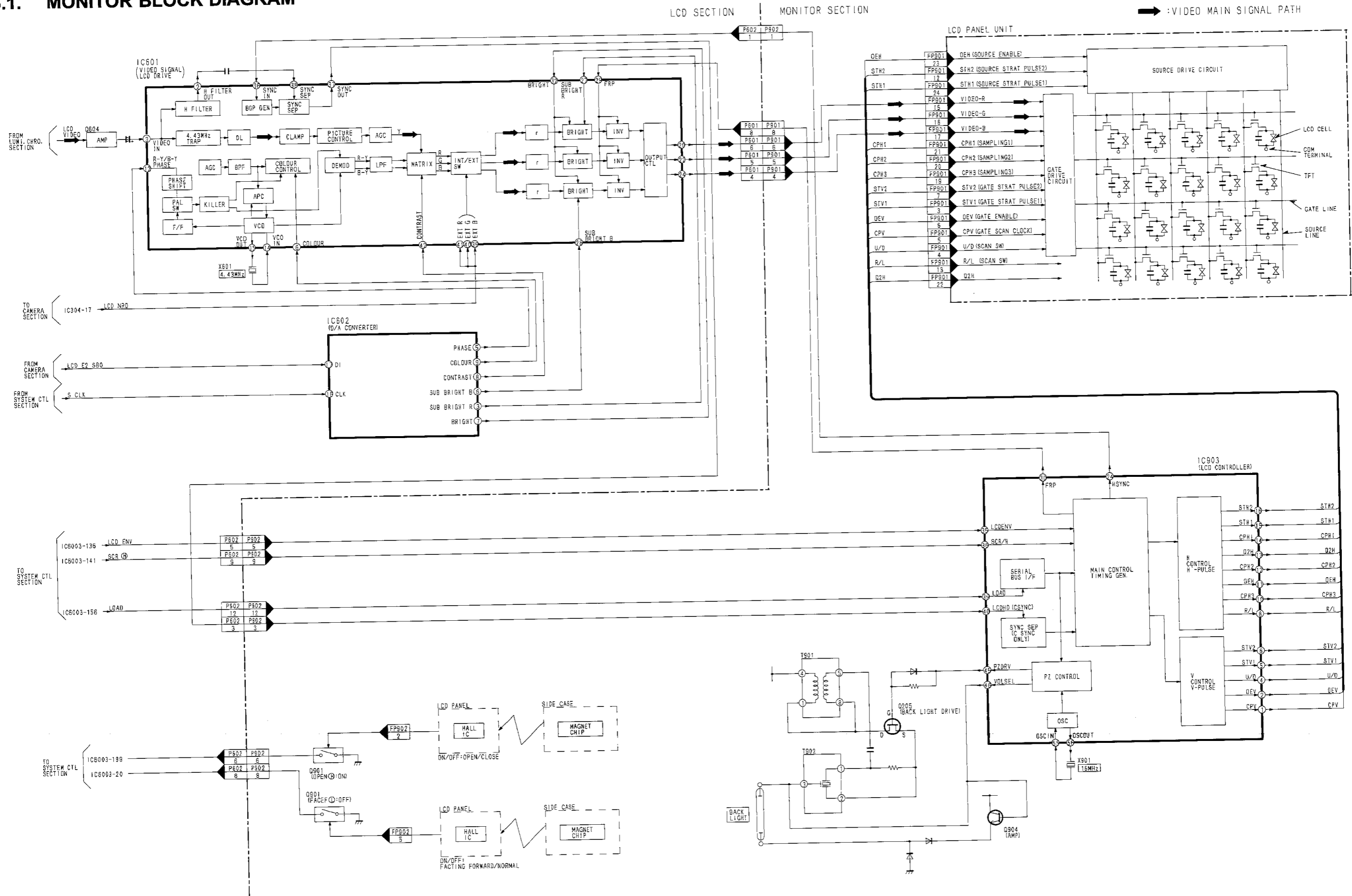
Fig.14

5 WAVEFORM TABLE

 <p>CL901 STOP 4.6 Vp-p (20µsec./div.) COLOUR BAR</p>	 <p>CL902 STOP 4.4 Vp-p (20µsec./div.) COLOUR BAR</p>	 <p>CL903 STOP 4.4 Vp-p (20µsec./div.) COLOUR BAR</p>	 <p>IC903-45 STOP 8.8 Vp-p (2µsec./div.) COLOUR BAR</p>	 <p>IC903-46 STOP 4.8 Vp-p (2msec./div.) COLOUR BAR</p>
 <p>IC601-3 STOP 1.3 Vp-p (20µsec./div.) COLOUR BAR</p>	 <p>IC601-20 STOP 4.8 Vp-p (20µsec./div.) COLOUR BAR</p>	 <p>IC601-22 STOP 4.8 Vp-p (20µsec./div.) COLOUR BAR</p>	 <p>IC601-24 STOP 5.0 Vp-p (20µsec./div.) COLOUR BAR</p>	 <p>IC601-29 STOP 3.0 Vp-p (20µsec./div.) COLOUR BAR</p>
 <p>IC601-37 STOP 3.6 Vp-p (20µsec./div.) COLOUR BAR</p>	 <p>IC601-39, 40, 41 STOP 2.8 Vp-p (5msec./div.) COLOUR BAR</p>			

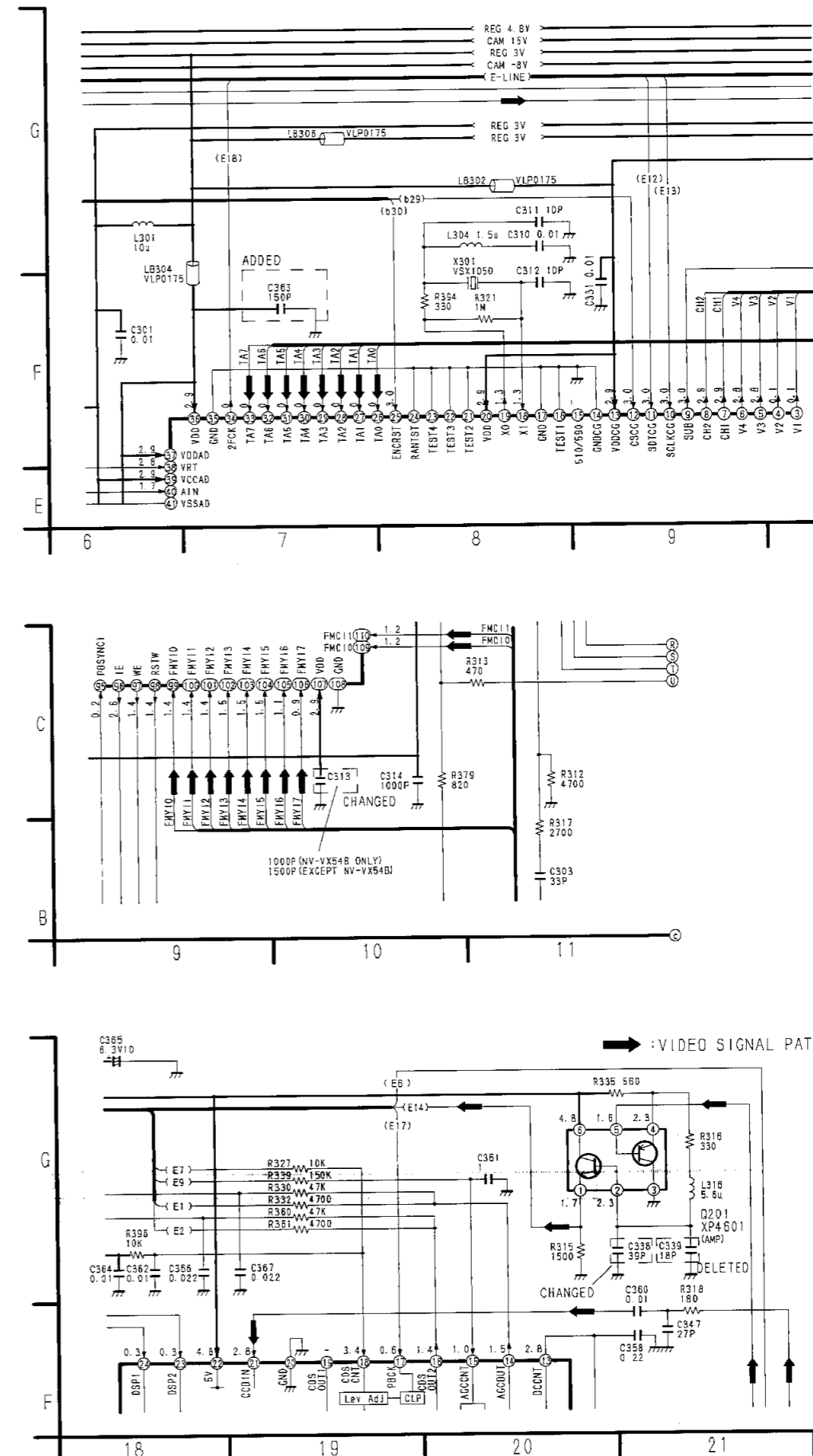
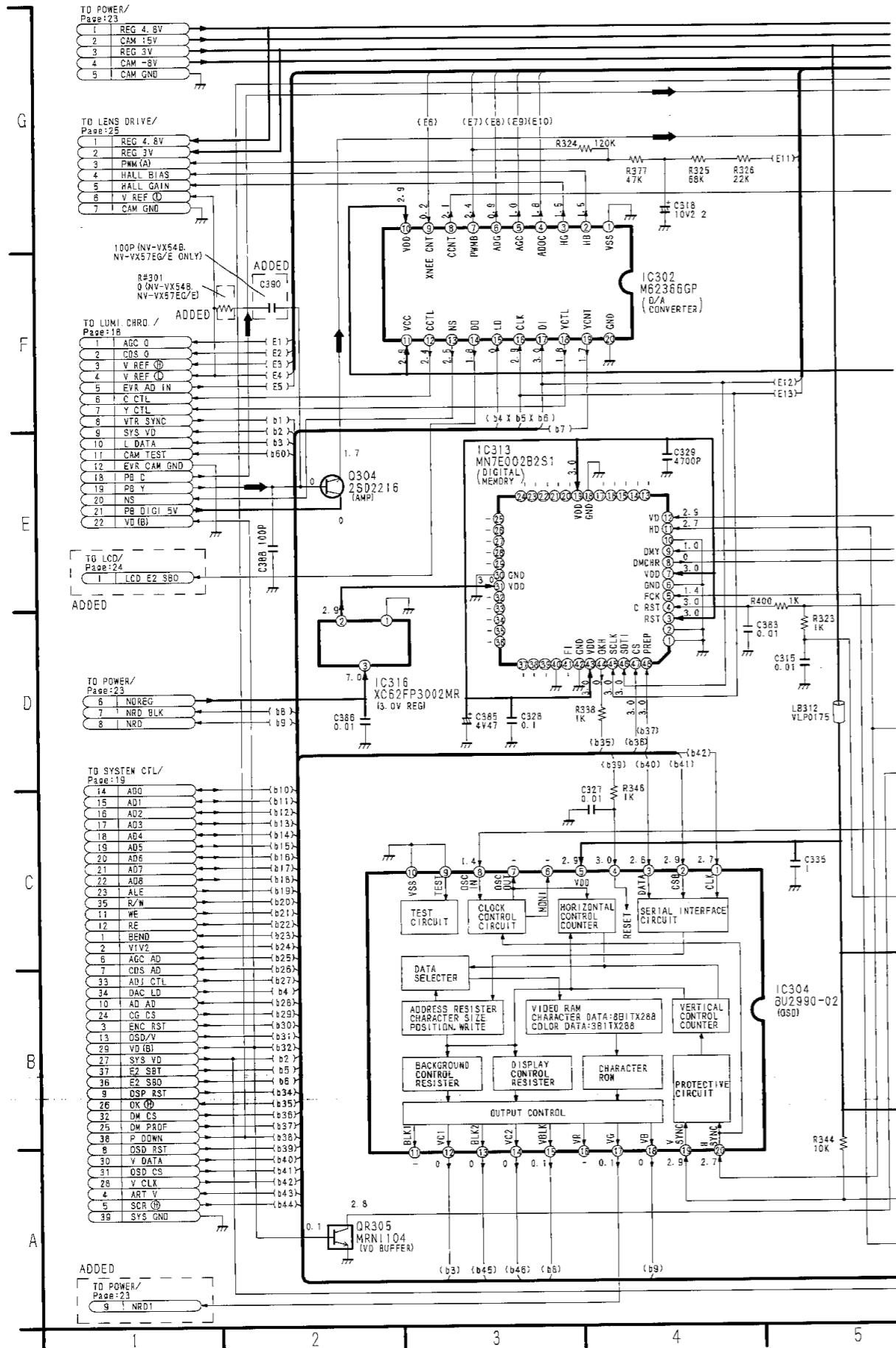
6 BLOCK DIAGRAMS

6.1. MONITOR BLOCK DIAGRAM

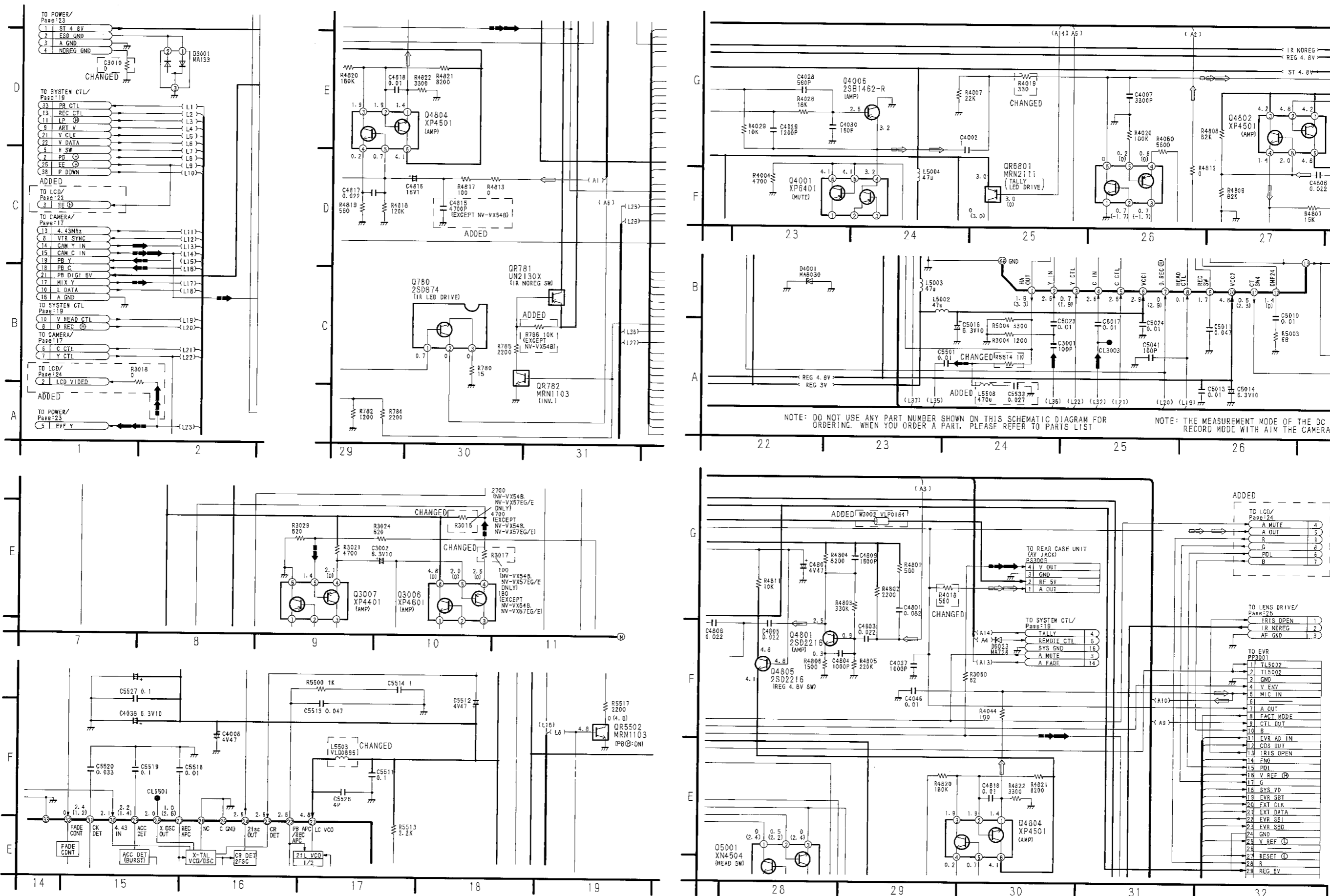


7 SCHEMATIC DIAGRAMS

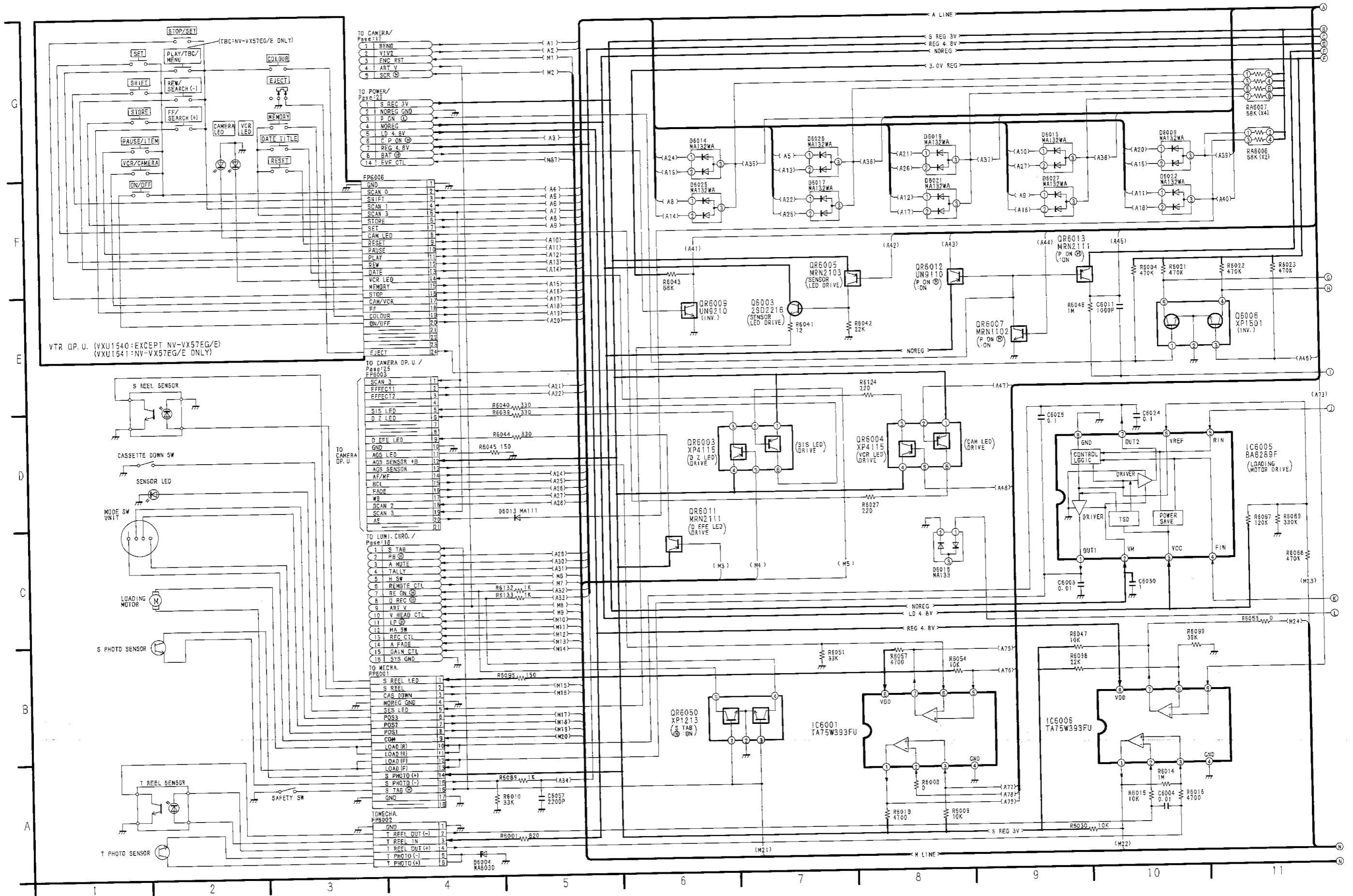
7.1. CAMERA SCHEMATIC DIAGRAM

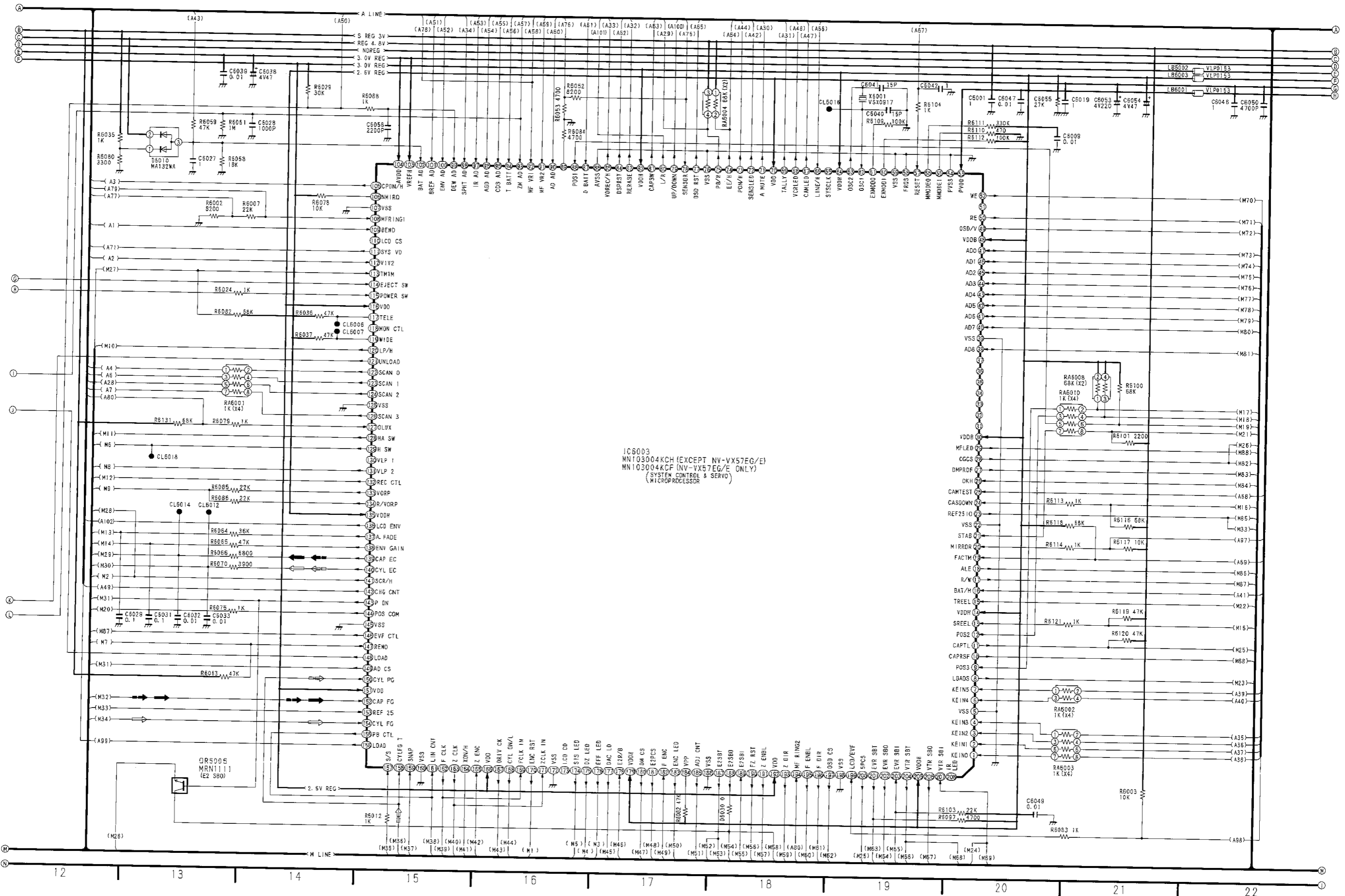


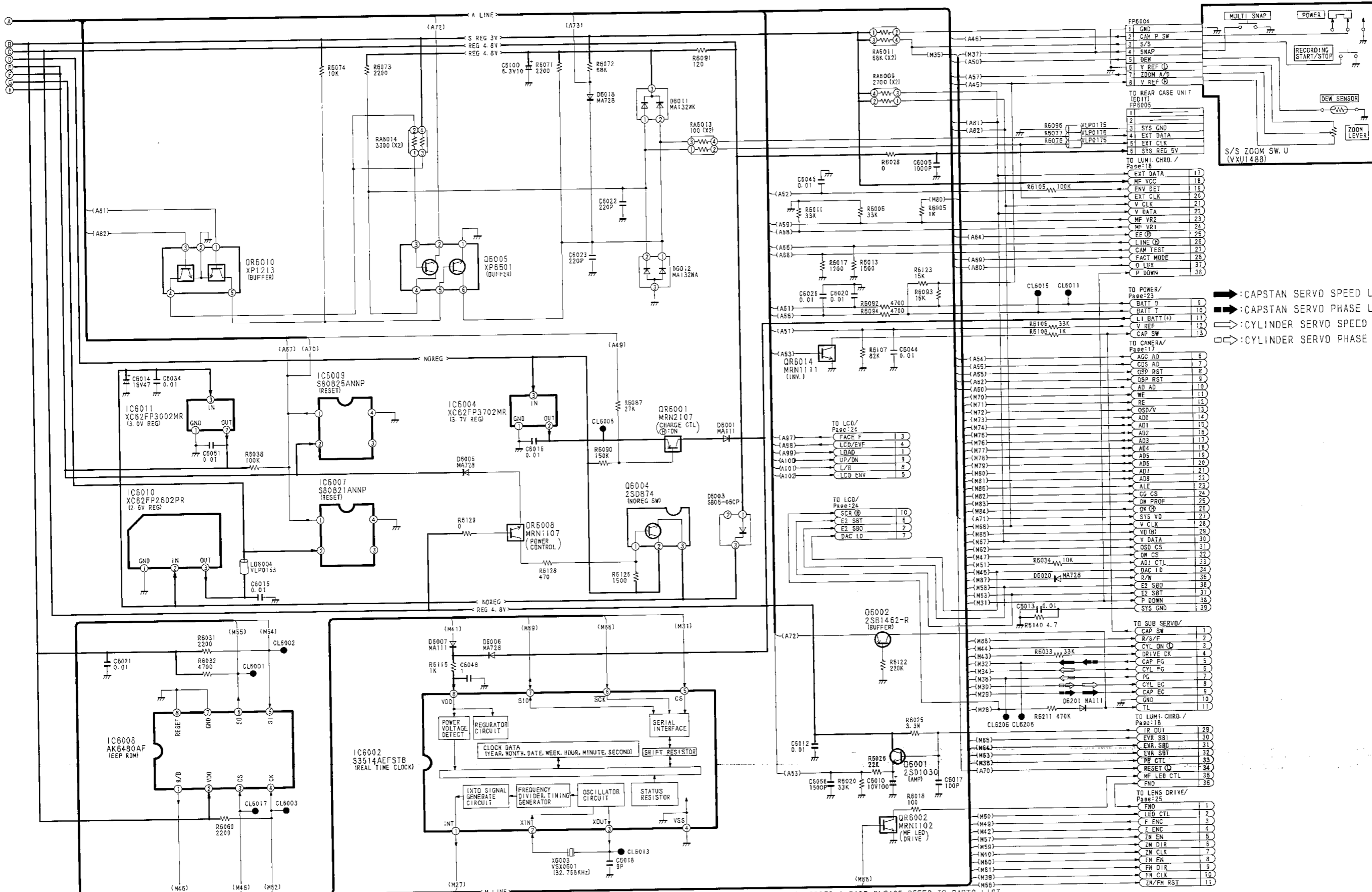
7.2. LUMINANCE/CHROMINANCE & AUDIO SCHEMATIC DIAGRAM



7.3. SYSTEM CONTROL & SERVO SCHEMATIC DIAGRAM

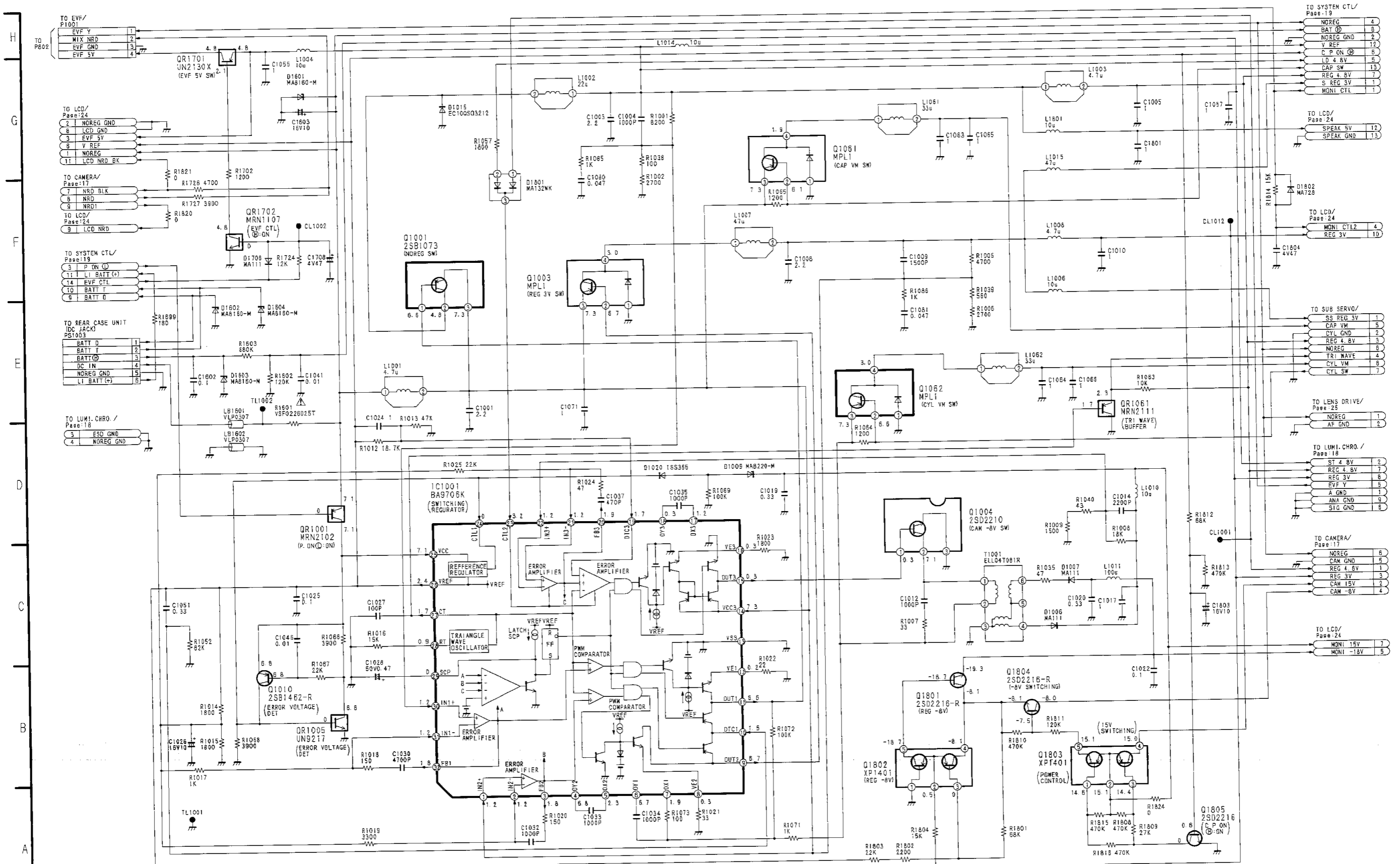


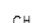




NOTE: DO NOT USE ANY PART NUMBER SHOWN ON THIS SCHEMATIC DIAGRAM FOR ORDERING. WHEN YOU ORDER A PART, PLEASE REFER TO PARTS LIST.

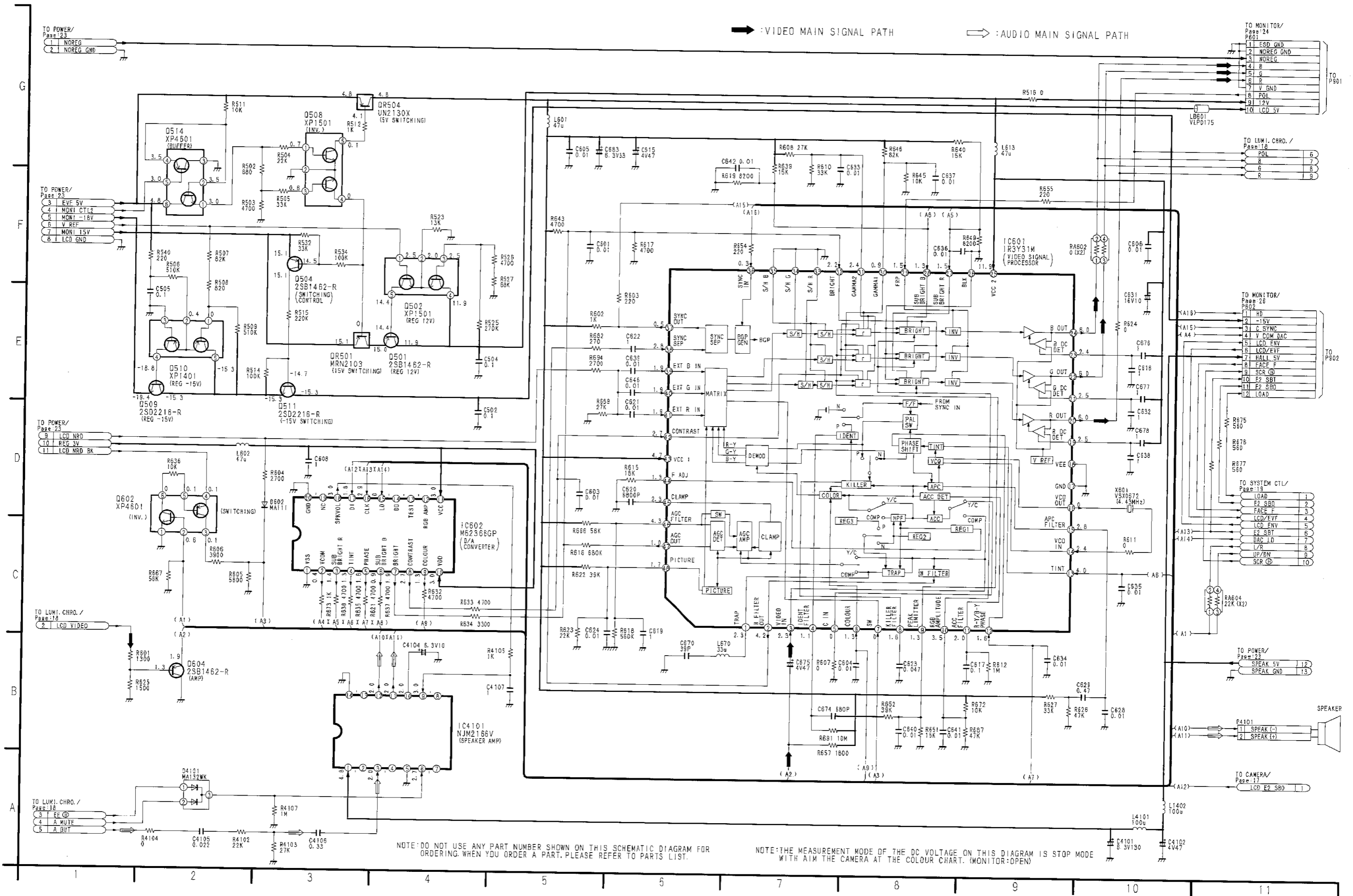
7.4. POWER SCHEMATIC DIAGRAM



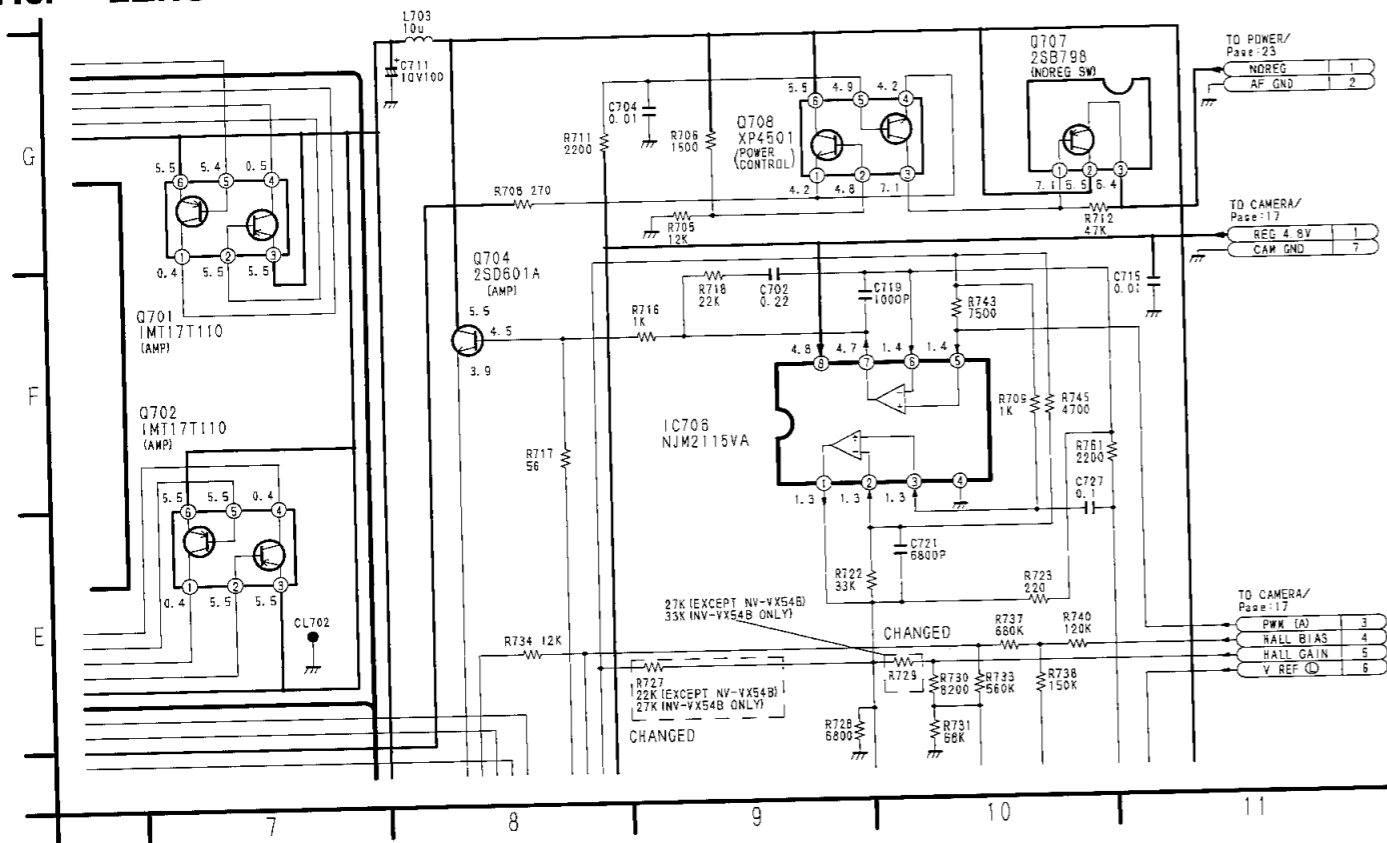
IMPORTANT SAFETY NOTICE:
COMPONENTS IDENTIFIED WITH THE MARK  HAVE THE SPECIAL CHARACTERISTICS FOR SAFETY.
WHEN REPLACING ANY OF THESE COMPONENTS, USE ONLY THE SAME TYPE.

NOTE: DO NOT USE ANY PART NUMBER SHOWN ON THIS SCHEMATIC DIAGRAM FOR ORDERING WHEN YOU ORDER A PART. PLEASE REFER TO PARTS LIST.
NOTE: THE MEASUREMENT MODE OF THE DC VOLTAGE ON THIS DIAGRAM IS STOP MODE.

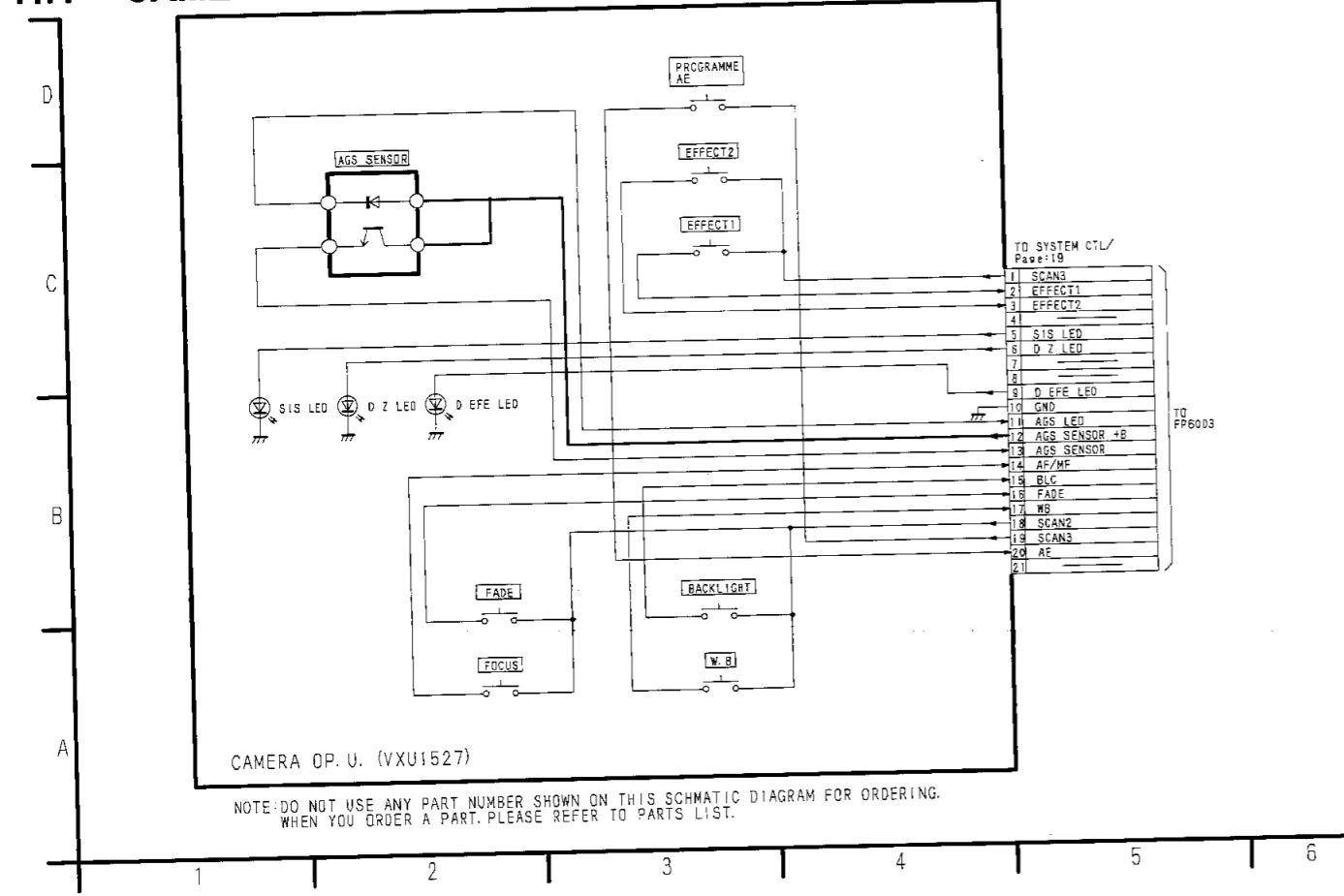
7.5. LCD SCHEMATIC DIAGRAM



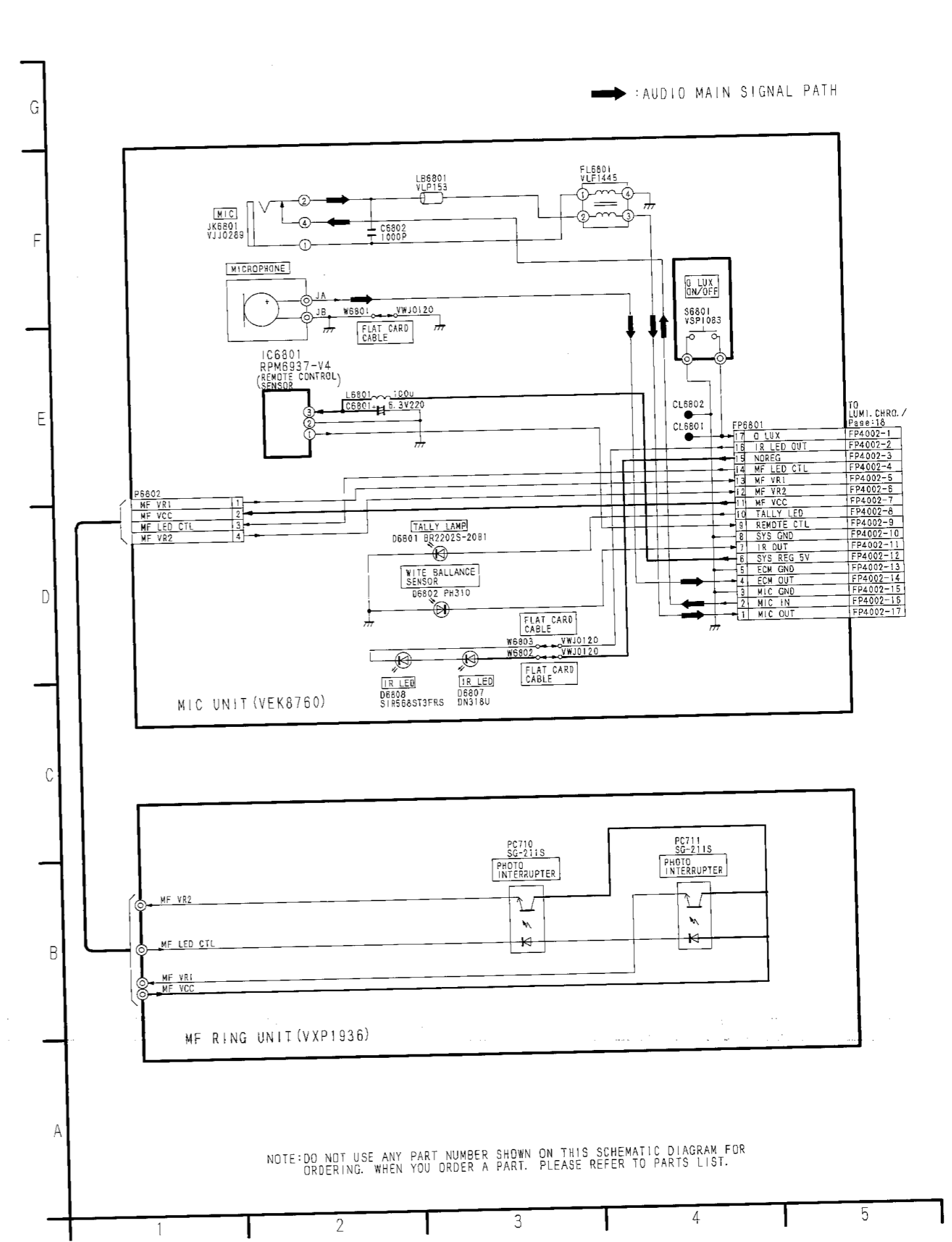
7.6. LENS DRIVE SCHEMATIC DIAGRAM



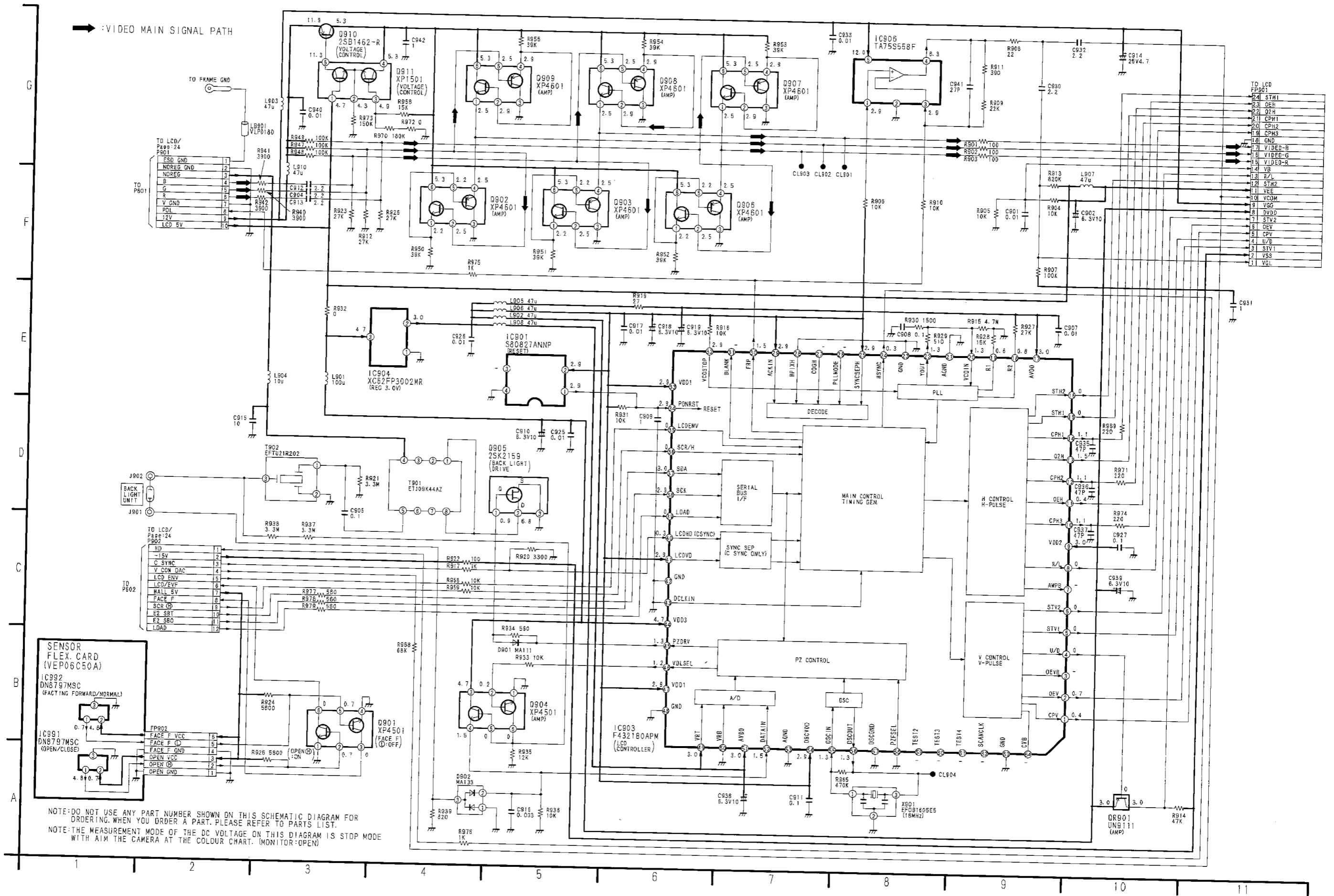
7.7. CAMERA OP. UNIT SCHEMATIC DIAGRAM



7.8. MIC UNIT SCHEMATIC DIAGRAM



7.9. MONITOR & SENSOR FLEX. CARD SCHEMATIC DIAGRAM



NOTE: DO NOT USE ANY PART NUMBER SHOWN ON THIS SCHEMATIC DIAGRAM FOR ORDERING. WHEN YOU ORDER A PART, PLEASE REFER TO PARTS LIST.
 NOTE: THE MEASUREMENT MODE OF THE DC VOLTAGE ON THIS DIAGRAM IS STOP MODE WITH AIM THE CAMERA AT THE COLOUR CHART. (MONITOR: OPEN)

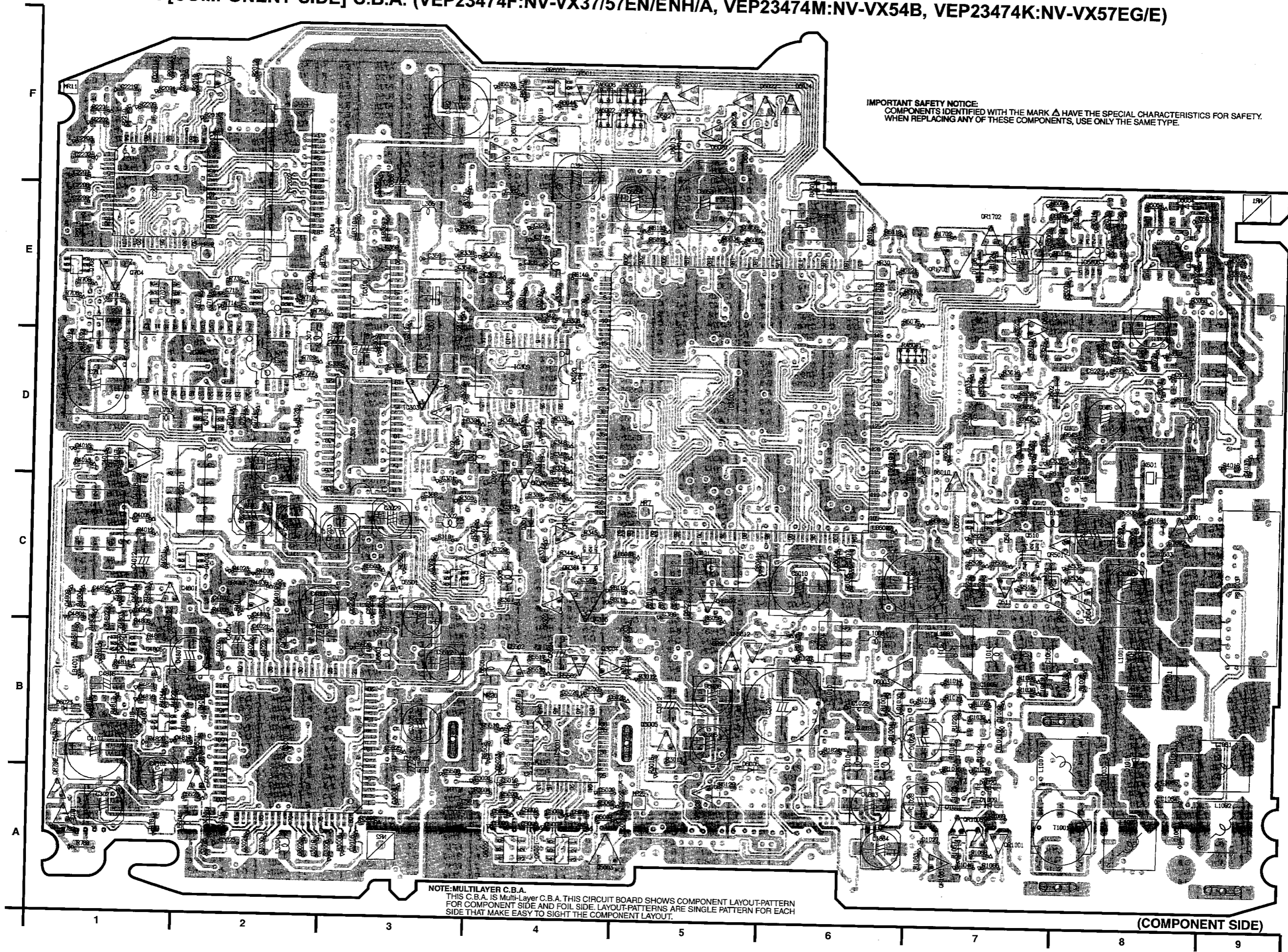
8 CIRCUIT BOARD ASSEMBLIES

8.1. CAMERA/MAIN C.B.A. ADDRESS INFORMATION

Camera/Main C.B.A.																																					
Integrated Circuit	Q4014	C-7	D6010	D-7	CKF15	F-6	FP5001	A-6	C305	C-6	C639	D-3	C2224	F-8	C5006	A-4	C6048	E-4	R505	C-2	R728	E-8	R2201	F-1	C	R4037	B-7	F	R6029	C-4	F	R6124	F-4	F			
IC301	D-6	F	Q4801	C-2	D6011	E-5	FP6001	E-1	C306	E-5	C640	D-1	C2225	F-8	C5007	A-4	C6049	E-4	R506	C-2	R729	E-8	R2202	F-1	C	R4038	B-7	Resistor Array									

ADDRESS INFORMATION C.....COMPONENT SIDE F.....FOIL SIDE

8.2. CAMERA/MAIN [COMPONENT SIDE] C.B.A. (VEP23474F:NV-VX37/57EN/ENH/A, VEP23474M:NV-VX54B, VEP23474K:NV-VX57EG/E)

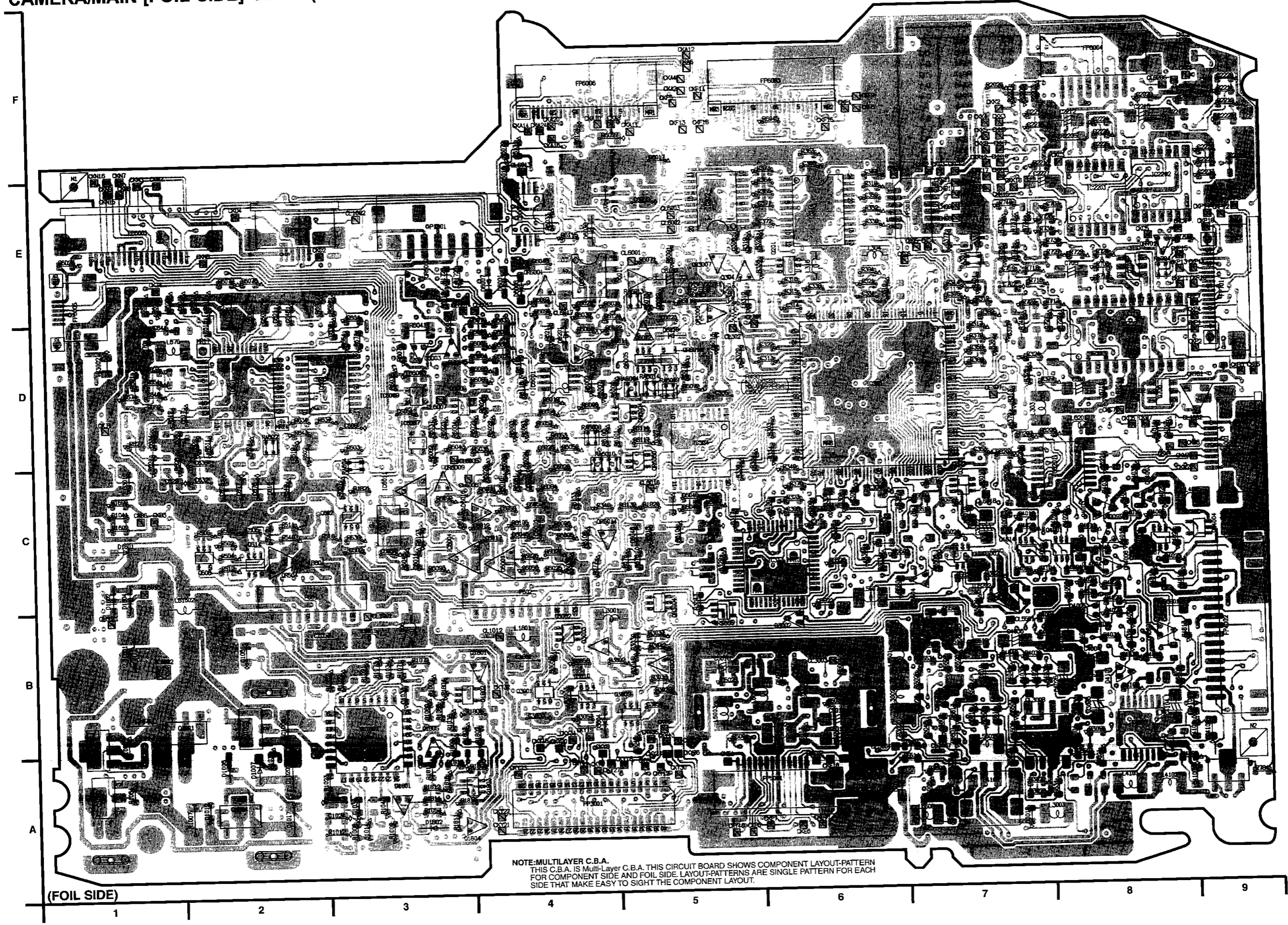


IMPORTANT SAFETY NOTICE:
 COMPONENTS IDENTIFIED WITH THE MARK Δ HAVE THE SPECIAL CHARACTERISTICS FOR SAFETY.
 WHEN REPLACING ANY OF THESE COMPONENTS, USE ONLY THE SAME TYPE.

NOTE: MULTILAYER C.B.A.
 THIS C.B.A. IS Multi-Layer C.B.A. THIS CIRCUIT BOARD SHOWS COMPONENT LAYOUT-PATTERN FOR COMPONENT SIDE AND FOIL SIDE. LAYOUT-PATTERNS ARE SINGLE PATTERN FOR EACH SIDE THAT MAKE EASY TO SIGHT THE COMPONENT LAYOUT.

(COMPONENT SIDE)

8.3. CAMERAMAIN [FOIL SIDE] C.B.A. (VEP23474F:NV-VX37/57EN/ENH/A, VEP23474M:NV-VX54B, VEP23474K:NV-VX57EG/E)

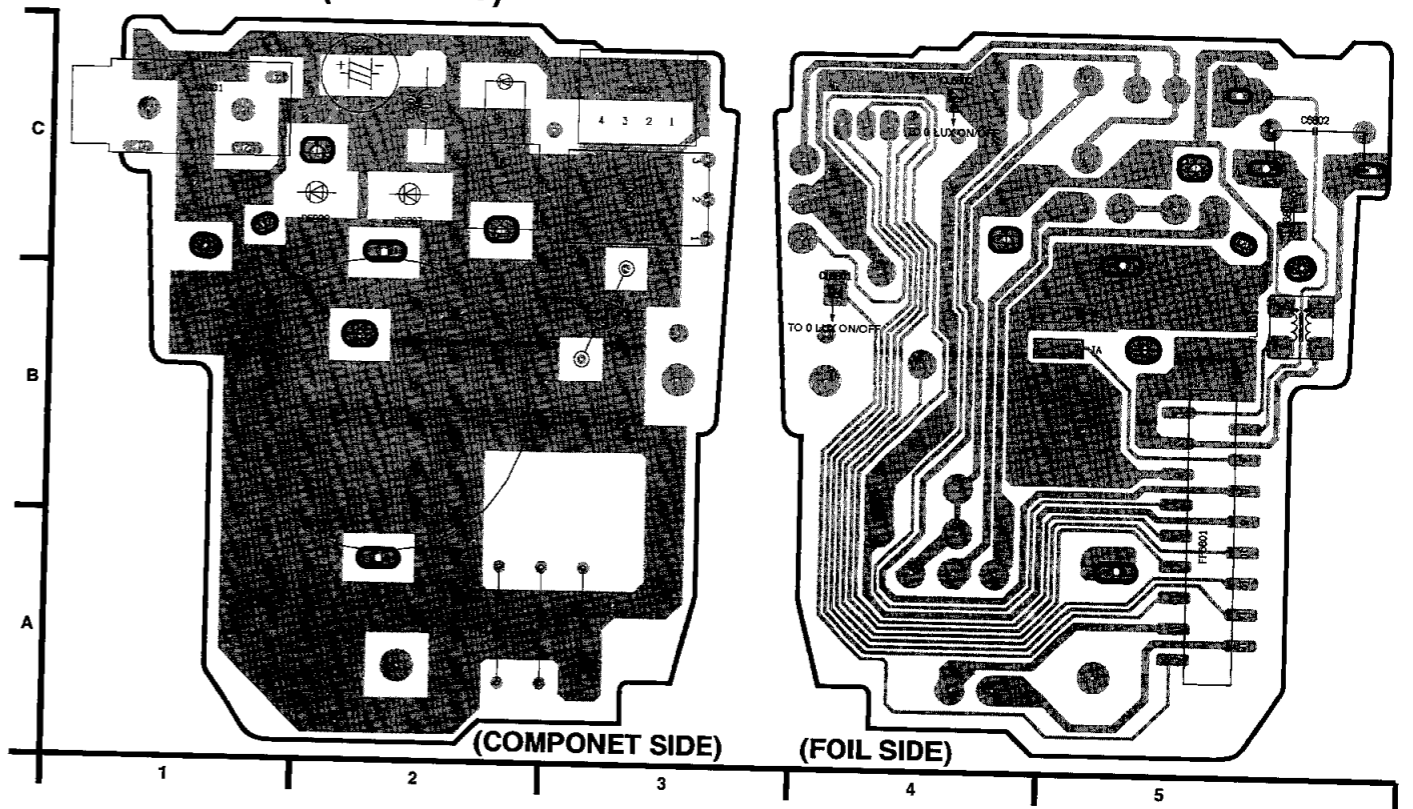


8.4. MONITOR C.B.A. (VEP26215A)

Monitor C.B.A.											
Integrated Circuit	Connector		C914 C-5		R909 B-3	R940 D-3					
IC901 B-4	FP901	D-5	C915 B-5		R910 B-3	R941 D-3					
IC903 C-5	FP902	B-1	C916 B-6		R911 B-3	R942 D-4					
IC904 B-3	P901	D-2	C917 B-5		R912 D-3	R947 D-3					
IC906 C-3	P902	D-1	C918 B-5		R913 C-4	R948 D-3					
Transistor	Crystal Oscillator		C919 C-4		R914 C-6	R949 D-4					
Q901 B-1	X901	C-5	C925 B-5		R915 C-4	R950 D-3					
Q902 C-3	Coil		C926 B-3		R916 B-4	R951 C-3					
Q903 C-3	L901	B-3	C927 C-5		R917 B-5	R952 C-4					
Q904 A-3	L902	B-5	C930 C-3		R919 B-4	R953 D-4					
Q905 A-4	L903	C-2	C931 C-6		R920 B-5	R954 D-3					
Q906 C-4	L904	C-2	C932 C-3		R921 A-4	R955 D-3					
Q907 C-4	L905	B-3	C933 C-3		R922 B-4	R956 C-3					
Q908 C-4	L906	B-3	C935 C-5		R923 D-3	R958 B-4					
Q909 C-3	L907	C-3	C936 C-5		R924 B-2	R959 B-4					
Q910 C-3	L908	C-6	C937 C-5		R925 D-4	R965 C-5					
Q911 C-3	L910	C-2	C938 B-5		R926 B-1	R968 D-4					
Transistor & Resistor	LB901 B-2		C939 C-5		R927 C-4	R969 C-5					
QR901 C-6	Capacitor		C940 C-3		R928 C-4	R970 C-3					
Diode	C901 D-4		C941 C-3		R929 C-4	R971 C-5					
D901 A-4	C902 C-4		C942 C-4		R930 B-4	R972 C-3					
D902 B-5	C904 C-3		Resistor		R931 B-5	R973 C-3					
Transformer	C905 A-4		R901 C-4		R932 B-3	R974 C-5					
T901 A-4	C907 C-4		R902 C-4		R933 A-3	R975 C-2					
T902 A-3	C908 C-4		R903 D-4		R934 A-4	R976 C-2					
Test Point	C909 B-4		R904 D-4		R935 A-3	R977 C-1					
CL901 C-4	C910 B-5		R905 D-4		R936 A-3	R978 C-1					
CL902 C-4	C911 B-5		R906 C-3		R937 A-3	R979 C-1					
CL903 D-4	C912 D-3		R907 C-4		R938 A-2						
CL904 C-5	C913 D-4		R908 B-3		R939 B-5						

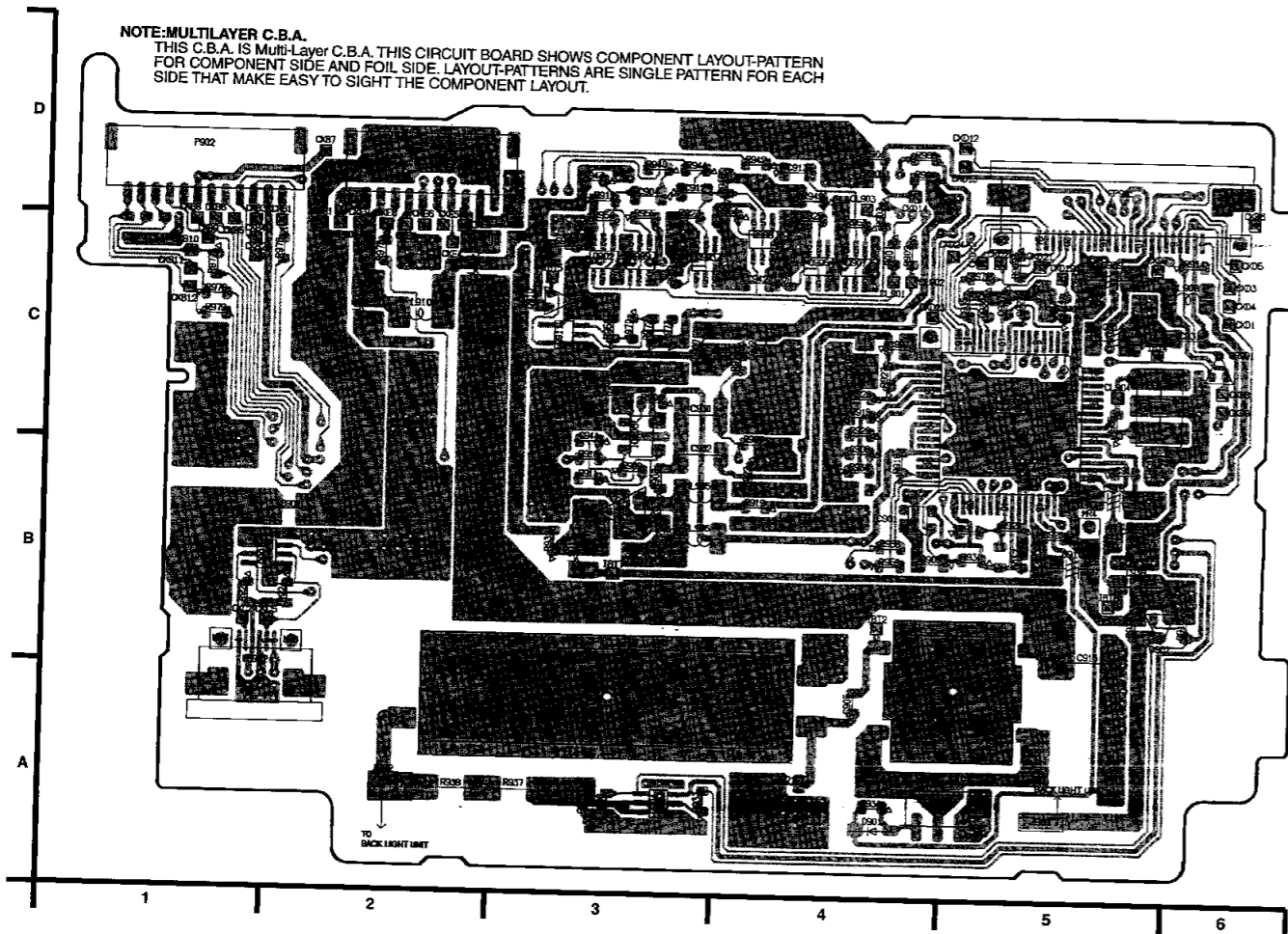
ADDRESS INFORMATION

8.5. MIC UNIT (VEK8760)



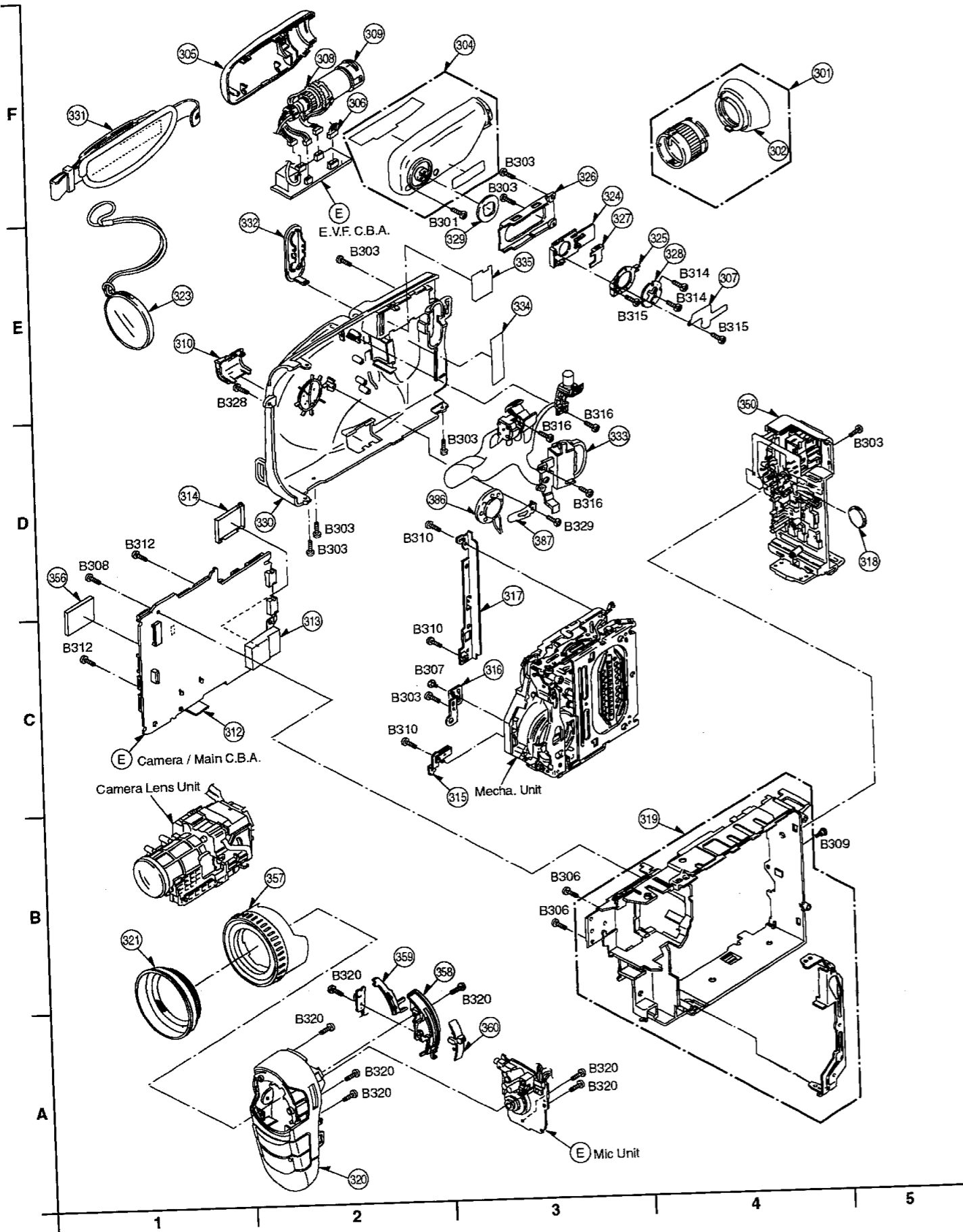
NOTE: MULTILAYER C.B.A.

THIS C.B.A. IS Multi-Layer C.B.A. THIS CIRCUIT BOARD SHOWS COMPONENT LAYOUT-PATTERN FOR COMPONENT SIDE AND FOIL SIDE. LAYOUT-PATTERNS ARE SINGLE PATTERN FOR EACH SIDE THAT MAKE EASY TO SIGHT THE COMPONENT LAYOUT.

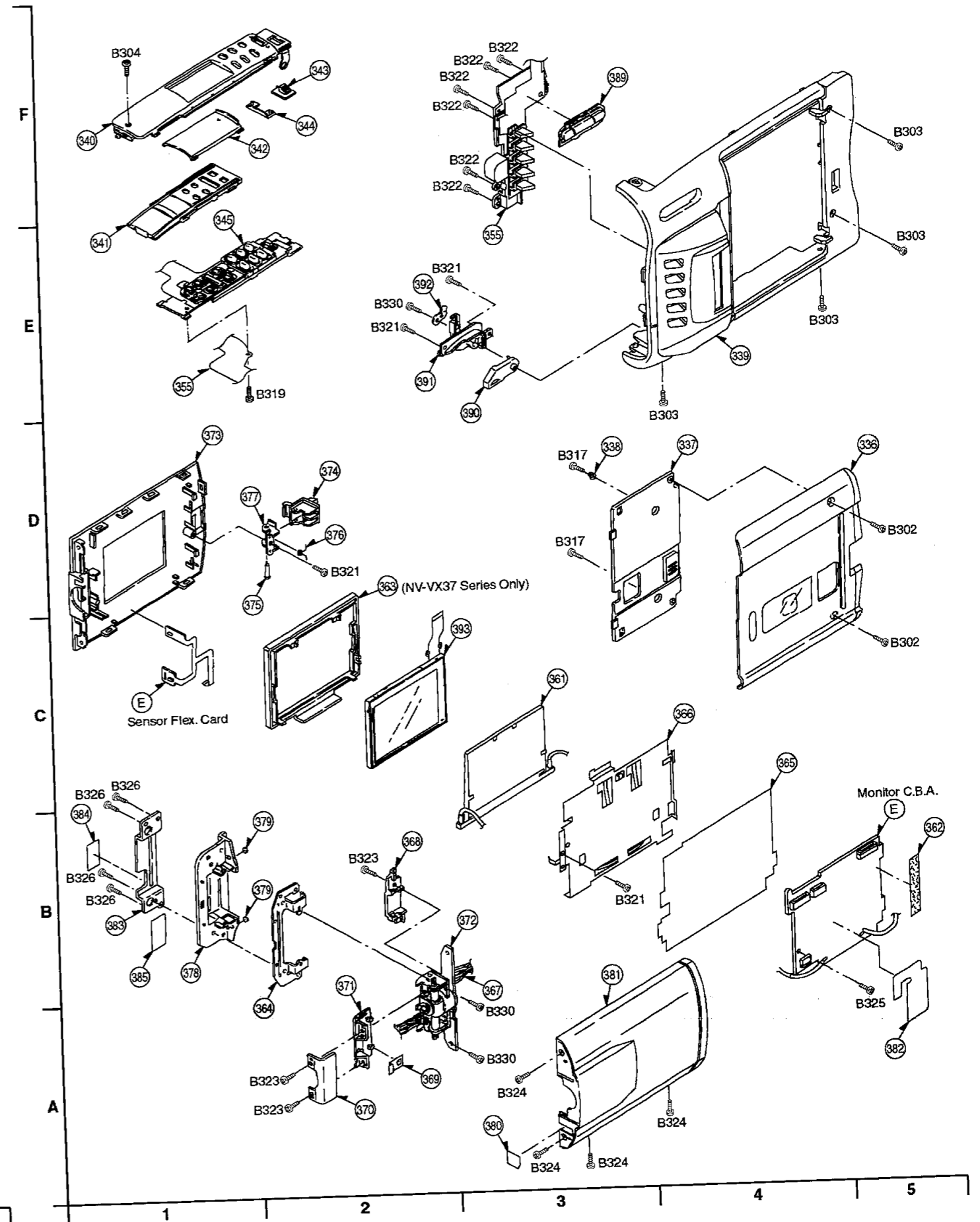


9 EXPLODED VIEWS & PARTS LIST

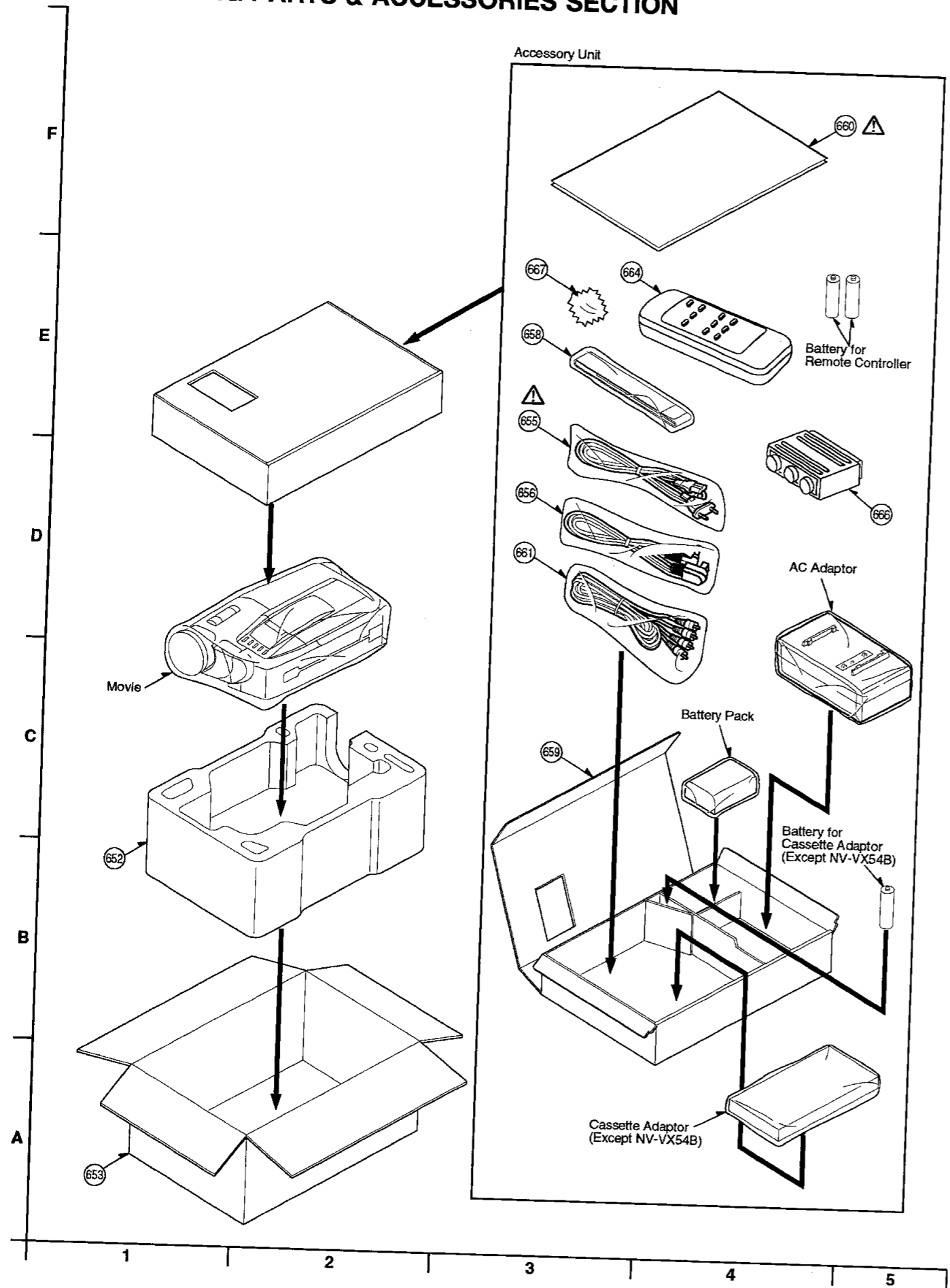
9.1. FRAME & CASING SECTION (1)



9.2. FRAME & CASING SECTION (2)



9.3. PACKING PARTS & ACCESSORIES SECTION



10 ELECTRICAL REPLACEMENT PARTS LIST

Note: 1. Be sure to make your orders of replacement parts according to this list.
 2. IMPORTANT SAFETY NOTICE: Components identified with the mark Δ have the special characteristics for safety. When replacing any of these components, use only the same type.
 3. Unless otherwise specified, All resistors are in OHMS, K=1,000 OHMS. All capacitors are in MICROFARADS (μ F), P= μ uF.
 4. The P.C. Board units marked width "W" show below the main assembled parts.
 5. The marking (RTL) indicates the retention time is limited for this item.
 After the discontinuation of this assembly in production, it will no longer be available.

Ref. No.	Part No.	Part Name & Description	Pcs	Remarks
	VEP23474K	CAMERA/MAIN C. B. A.	1	(RTL) NV-VX57EG/E
	VEP23474M	CAMERA/MAIN C. B. A.	1	(RTL) NV-VX54B
	VEP23474F	CAMERA/MAIN C. B. A.	1	(RTL) NV-VX57EN/ENH/A
			1	NV-VX37EN/ENH/A
	VEP28215A	MONITOR C. B. A.	1	(RTL)
	VEP28259A	E. V. F. C. B. A.	1	(RTL)
	VEK8760	MIC UNIT	1	
	VEP22276A	CCD FLEX. CARD C. B. A.	1	(RTL)
	VXP1836	MF RING UNIT	1	
	VEP06C50A	SENSOR FLEX. C. B. A.	1	(RTL)
	VEP23474K	CAMERA/MAIN C. B. A.		(RTL) NV-VX57EG/E
	VEP23474M	CAMERA/MAIN C. B. A.		(RTL) NV-VX54B
	VEP23474F	CAMERA/MAIN C. B. A.		(RTL) NV-VX57EN/ENH/A
				NV-VX37EN/ENH/A
C301	ECUX1H103KBV	C. CAPACITOR CH 50V 0.01U	1	
C302	ECST0JY106Z	T. CAPACITOR CH 8.3V 10U	1	
C303	ECUX1H330JCV	C. CAPACITOR CH 50V 33P	1	
C304.05	ECUM1A105KBN	C. CAPACITOR CH 10V 1U	2	
C308	ECUX1E223KBV	C. CAPACITOR CH 25V 0.022U	1	
C307	ECUX1H220JCV	C. CAPACITOR CH 50V 22P	1	
C308	ECUX1H103KBV	C. CAPACITOR CH 50V 0.01U	1	
C309	ECUX1H470JCV	C. CAPACITOR CH 50V 47P	1	
C310	ECUX1H103KBV	C. CAPACITOR CH 50V 0.01U	1	
C311.12	ECUX1H100CCV	C. CAPACITOR CH 50V 10P	2	
C313	ECUX1H152KBV	C. CAPACITOR CH 50V 1500P	1	NV-VX57EG/E/EN/ENH/A
				NV-VX37EN/ENH/A
C313.14	ECUX1H102KBV	C. CAPACITOR CH 50V 1000P	2	
C315	ECUX1H103KBV	C. CAPACITOR CH 50V 0.01U	1	
C316	ECST0JY106Z	T. CAPACITOR CH 8.3V 10U	1	
C317	ECUX1H152KBV	C. CAPACITOR CH 50V 1500P	1	
C318	ECST1AY225Z	T. CAPACITOR CH 10V 2.2U	1	
C321	ECEVOGA101	E. CAPACITOR CH 4V 100U	1	
C322-24	ECUX1H103KBV	C. CAPACITOR CH 50V 0.01U	3	
C327	ECUX1H103KBV	C. CAPACITOR CH 50V 0.01U	1	
C328	ECUX1C104KBV	C. CAPACITOR CH 18V 0.1U	1	
C328	ECUX1H472KBV	C. CAPACITOR CH 50V 4700P	1	
C330-33	ECUX1H103KBV	C. CAPACITOR CH 50V 0.01U	4	
C335	ECUM1A105KBN	C. CAPACITOR CH 10V 1U	1	
C338	ECUX1H103KBV	C. CAPACITOR CH 50V 0.01U	1	
C337	ECST0JY106Z	T. CAPACITOR CH 8.3V 10U	1	
C338	ECUX1H390JCV	C. CAPACITOR CH 50V 39P	1	
C340.41	ECUX1H103KBV	C. CAPACITOR CH 50V 0.01U	2	
C342	ECUX1C104KBV	C. CAPACITOR CH 18V 0.1U	1	
C343	ECUX1H103KBV	C. CAPACITOR CH 50V 0.01U	1	
C348	ECUX1H103KBV	C. CAPACITOR CH 50V 0.01U	1	
C347	ECUX1H270JCV	C. CAPACITOR CH 50V 27P	1	
C348	ECUX1H103KBV	C. CAPACITOR CH 50V 0.01U	1	
C350	ECUX1H103KBV	C. CAPACITOR CH 50V 0.01U	1	
C358.59	ECUM1C224KBN	C. CAPACITOR CH 18V 0.22U	2	
C360	ECUX1H103KBV	C. CAPACITOR CH 50V 0.01U	1	
C361	ECUM1A105KBN	C. CAPACITOR CH 10V 1U	1	
C362	ECUX1H103KBV	C. CAPACITOR CH 50V 0.01U	1	

Ref. No.	Part No.	Part Name & Description	Pcs	Remarks
C363	ECUX1H151JCV	C. CAPACITOR CH 50V 150P	1	
C364	ECUX1H103KBV	C. CAPACITOR CH 50V 0.01U	1	
C365	ECST0JY106Z	T. CAPACITOR CH 8.3V 10U	1	
C366.67	ECUX1E223KBV	C. CAPACITOR CH 25V 0.022U	2	
C368	ECUX1H103KBV	C. CAPACITOR CH 50V 0.01U	1	
C369	ECUX1C104KBV	C. CAPACITOR CH 18V 0.1U	1	
C371	ECUX1H103KBV	C. CAPACITOR CH 50V 0.01U	1	
C372	ECUX1C104KBV	C. CAPACITOR CH 18V 0.1U	1	
C374	ECUX1H220JCV	C. CAPACITOR CH 50V 22P	1	
C375	ECUX1H103KBV	C. CAPACITOR CH 50V 0.01U	1	
C377	ECUX1C104KBV	C. CAPACITOR CH 18V 0.1U	1	
C382	ECEV1AA101U	E. CAPACITOR CH 10V 100U	1	
C383	ECUX1H103KBV	C. CAPACITOR CH 50V 0.01U	1	
C385	ECEV05A470	E. CAPACITOR CH 4V 47U	1	
C386	ECUX1H103KBV	C. CAPACITOR CH 50V 0.01U	1	
C387.88	ECUX1H101JCV	C. CAPACITOR CH 50V 100P	2	
C390	ECUM1H101JCN	C. CAPACITOR CH 50V 100P	1	NV-VX54B
				NV-VX57EG/E
C502	ECUX1C104KBV	C. CAPACITOR CH 18V 0.1U	1	
C504.05	ECUX1C104KBV	C. CAPACITOR CH 18V 0.1U	2	
C801	ECUX1H103KBV	C. CAPACITOR CH 50V 0.01U	1	
C803-08	ECUX1H103KBV	C. CAPACITOR CH 50V 0.01U	4	
C808	ECUM1C105ZFN	C. CAPACITOR CH 18V 1U	1	
C815	ECEV05A470	E. CAPACITOR CH 4V 47U	1	
C816	ECUM1A105KBN	C. CAPACITOR CH 10V 1U	1	
C817	ECUX1C104KBV	C. CAPACITOR CH 18V 0.1U	1	
C819	ECUM1A105KBN	C. CAPACITOR CH 10V 1U	1	
C820	ECUX1H882KBV	C. CAPACITOR CH 50V 8800P	1	
C821	ECUX1H103KBV	C. CAPACITOR CH 50V 0.01U	1	
C822	ECUM1C105ZFN	C. CAPACITOR CH 18V 1U	1	
C823	ECUX1C473KBV	C. CAPACITOR CH 18V 0.047U	1	
C824	ECUX1H103KBV	C. CAPACITOR CH 50V 0.01U	1	
C828	ECUX1H103KBV	C. CAPACITOR CH 50V 0.01U	1	
C829	ECUM1C474ZFN	C. CAPACITOR CH 18V 0.47U	1	
C831	ECEV1CA100	E. CAPACITOR CH 18V 100U	1	
C832	ECUM1A105KBN	C. CAPACITOR CH 10V 1U	1	
C833-37	ECUX1H103KBV	C. CAPACITOR CH 50V 0.01U	5	
C838	ECUM1A105KBN	C. CAPACITOR CH 10V 1U	1	
C839-42	ECUX1H103KBV	C. CAPACITOR CH 50V 0.01U	4	
C846	ECUX1H103KBV	C. CAPACITOR CH 50V 0.01U	1	
C870	ECUX1H390JCV	C. CAPACITOR CH 50V 39P	1	
C874	ECUX1H881JCV	C. CAPACITOR CH 50V 880P	1	
C875	ECEV05A470	E. CAPACITOR CH 4V 47U	1	
C876-78	ECUM1A105KBN	C. CAPACITOR CH 10V 1U	3	
C883	ECST0JX336Z	T. CAPACITOR CH 8.3V 33U	1	
C701	ECUX1H332KBV	C. CAPACITOR CH 50V 3300P	1	
C702	ECUM1C224KBN	C. CAPACITOR CH 18V 0.22U	1	
C703	ECUX1C104KBV	C. CAPACITOR CH 18V 0.1U	1	
C704	ECUX1H103KBV	C. CAPACITOR CH 50V 0.01U	1	
C705	ECST0JY106Z	T. CAPACITOR CH 8.3V 10U	1	
C711	ECEV1AA101U	E. CAPACITOR CH 10V 100U	1	
C713	ECUX1H332KBV	C. CAPACITOR CH 50V 3300P	1	
C715.18	ECUX1H103KBV	C. CAPACITOR CH 50V 0.01U	2	
C718	ECUX1C104KBV	C. CAPACITOR CH 18V 0.1U	1	
C719	ECUX1H102KBV	C. CAPACITOR CH 50V 1000P	1	
C721	ECUX1H882KBV	C. CAPACITOR CH 50V 8800P	1	
C724	ECUX1C104KBV	C. CAPACITOR CH 18V 0.1U	1	
C727	ECUX1C104KBV	C. CAPACITOR CH 18V 0.1U	1	
C1001	ECUM1A225KBM	C. CAPACITOR CH 10V 2.2U	1	
C1003	ECUM1A225KBM	C. CAPACITOR CH 10V 2.2U	1	
C1004	ECUX1H102KBV	C. CAPACITOR CH 50V 1000P	1	
C1005	ECUM1C105KBM	C. CAPACITOR CH 18V 1U	1	
C1008	ECUM1A225KBM	C. CAPACITOR CH 10V 2.2U	1	
C1009	ECUX1H152KBV	C. CAPACITOR CH 50V 1500P	1	
C1010	ECUM1C105KBM	C. CAPACITOR CH 18V 1U	1	
C1012	ECUX1H102KBV	C. CAPACITOR CH 50V 1000P	1	
C1014	ECUX1H222KBV	C. CAPACITOR CH 50V 2200P	1	
C1017	ECUM1E105KBM	C. CAPACITOR CH 25V 1U	1	
C1018.20	ECUM1E334KBM	C. CAPACITOR CH 25V 0.33U	2	
C1022	ECUM1E104KBN	C. CAPACITOR CH 25V 0.1U	1	
C1024	ECUM1A105KBN	C. CAPACITOR CH 10V 1U	1	
C1025	ECUX1C104KBV	C. CAPACITOR CH 18V 0.1U	1	
C1026	ECEV1CA100	E. CAPACITOR CH 18V 100U	1	
C1027	ECUX1H101JCV	C. CAPACITOR CH 50V 100P	1	
C1028	ECEV1HAR47	E. CAPACITOR CH 50V 0.47U	1	

Ref. No.	Part No.	Part Name & Description	Pcs	Remarks
C1030	ECUX1H472KBV	C. CAPACITOR CH 50V 4700P	1	
C1032-35	ECUX1H102KBV	C. CAPACITOR CH 50V 1000P	4	
C1037	ECUX1H471JCV	C. CAPACITOR CH 50V 470P	1	
C1041	ECUX1H103KBV	C. CAPACITOR CH 50V 0.01U	1	
C1046	ECUX1H103KBV	C. CAPACITOR CH 50V 0.01U	1	
C1051	ECUM1G334KBN	C. CAPACITOR CH 16V 0.33U	1	
C1055	ECUM1C105KBM	C. CAPACITOR CH 16V 1U	1	
C1057	ECUM1C105KBM	C. CAPACITOR CH 16V 1U	1	
C1063, 64	ECUM1A105KBN	C. CAPACITOR CH 10V 1U	2	
C1065, 66	ECUM1C105ZFN	C. CAPACITOR CH 16V 1U	2	
C1071	ECUM1C105KBM	C. CAPACITOR CH 16V 1U	1	
C1080, 81	ECUX1G473KBV	C. CAPACITOR CH 16V 0.047U	2	
C1602	ECUX1C104KBV	C. CAPACITOR CH 16V 0.1U	1	
C1603	ECEV1CA100	E. CAPACITOR CH 18V 10U	1	
C1708	ECEV05A470	E. CAPACITOR CH 4V 47U	1	
C1801	ECUM1C105KBM	C. CAPACITOR CH 16V 1U	1	
C1803	ECEV1CA100	E. CAPACITOR CH 18V 10U	1	
C1804	ECEV05A470	E. CAPACITOR CH 4V 47U	1	
C2001	ECUM1A105KBN	C. CAPACITOR CH 10V 1U	1	
C2009	ECUX1C104KBV	C. CAPACITOR CH 16V 0.1U	1	
C2020	ECUX1C104KBV	C. CAPACITOR CH 16V 0.1U	1	
C2033	ECUX1A105ZFN	C. CAPACITOR CH 10V 1U	1	
C2043	ECUX1C104ZFN	C. CAPACITOR CH 16V 0.1U	1	
C2202	ECUM1A105KBN	C. CAPACITOR CH 10V 1U	1	
C2203	ECUX1H332KBV	C. CAPACITOR CH 50V 3300P	1	
C2207	ECUX1H221JCV	C. CAPACITOR CH 50V 220P	1	
C2208, 09	ECUX1H103KBV	C. CAPACITOR CH 50V 0.01U	2	
C2210	ECUM1A105KBN	C. CAPACITOR CH 10V 1U	1	
C2212	ECST0JY106Z	T. CAPACITOR CH 6.3V 10U	1	
C2213, 14	ECUX1H103KBV	C. CAPACITOR CH 50V 0.01U	2	
C2216	ECST0JY106Z	T. CAPACITOR CH 6.3V 10U	1	
C2217	ECUM1A105KBN	C. CAPACITOR CH 10V 1U	1	
C2219	ECUM1A105KBN	C. CAPACITOR CH 10V 1U	1	
C2220	ECUX1H152KBV	C. CAPACITOR CH 50V 1500P	1	
C2221	ECUM1A105KBN	C. CAPACITOR CH 10V 1U	1	
C2222, 23	ECUX1C104ZFN	C. CAPACITOR CH 16V 0.1U	2	
C2224-26	ECUX1C104KBV	C. CAPACITOR CH 16V 0.1U	3	
C2227	ECST0JY106Z	T. CAPACITOR CH 6.3V 10U	1	
C2233	ECUX1C104ZFN	C. CAPACITOR CH 16V 0.1U	1	
C3001	ECUX1H101JCV	C. CAPACITOR CH 50V 100P	1	
C3002	ECST0JY106Z	T. CAPACITOR CH 6.3V 10U	1	
C3003	ECUX1H103KBV	C. CAPACITOR CH 50V 0.01U	1	
C3004	ECUX1C104KBV	C. CAPACITOR CH 16V 0.1U	1	
C3005	ECEV05A470	E. CAPACITOR CH 4V 47U	1	
C3006	ECUX1H560JCV	C. CAPACITOR CH 50V 56P	1	
C3008	ECUX1C104KBV	C. CAPACITOR CH 16V 0.1U	1	
C3009	ECUX1H103KBV	C. CAPACITOR CH 50V 0.01U	1	
C3010	ERJ3GEY0R00	M. RESISTOR CH 1/16W	0	
C3012	ECST0JY106Z	T. CAPACITOR CH 6.3V 10U	1	
C3016	ECUX1H151JCV	C. CAPACITOR CH 50V 150P	1	
C3017	ECUX1C104KBV	C. CAPACITOR CH 16V 0.1U	1	
C3018	ECUX1H330JCV	C. CAPACITOR CH 50V 33P	1	
C3019, 20	ECUX1C104KBV	C. CAPACITOR CH 16V 0.1U	2	
C3022	ECUX1C104KBV	C. CAPACITOR CH 16V 0.1U	1	
C3023	ECUM1A105KBN	C. CAPACITOR CH 10V 1U	1	
C3024	ECUX1C104KBV	C. CAPACITOR CH 16V 0.1U	1	
C3026	ECUX1C104KBV	C. CAPACITOR CH 16V 0.1U	1	
C3027	ECEV1AAN100	E. CAPACITOR CH 10V 10U	1	
C3028	ECEV06A471	E. CAPACITOR CH 4V 470U	1	
C3029	ECEV1CA100	E. CAPACITOR CH 18V 10U	1	
C3030	ECUM1A105KBN	C. CAPACITOR CH 10V 1U	1	
C3031	ECUX1C104KBV	C. CAPACITOR CH 16V 0.1U	1	
C3033	ECUM1A105KBN	C. CAPACITOR CH 10V 1U	1	
C3035	ECST0JY106Z	T. CAPACITOR CH 6.3V 10U	1	
C3050	ECUX1C104KBV	C. CAPACITOR CH 16V 0.1U	1	
C4001	ECUX1H821JCV	C. CAPACITOR CH 50V 820P	1	
C4002	ECUM1C105ZFN	C. CAPACITOR CH 16V 1U	1	
C4003	ECUX1H822KBV	C. CAPACITOR CH 50V 8200P	1	
C4004	ECST0JY106Z	T. CAPACITOR CH 6.3V 10U	1	
C4005	ECUX1H472KBV	C. CAPACITOR CH 50V 4700P	1	
C4006	ECUM1A105KBN	C. CAPACITOR CH 10V 1U	1	
C4007	ECUX1H332KBV	C. CAPACITOR CH 50V 3300P	1	
C4008	ECEV05A470	E. CAPACITOR CH 4V 47U	1	
C4009	ECUX1H102KBV	C. CAPACITOR CH 50V 1000P	1	
C4012	ECST0JX226Z	T. CAPACITOR CH 6.3V 22U	1	

Ref. No.	Part No.	Part Name & Description	Pcs	Remarks
C4014	ECUX1H682KBV	C. CAPACITOR CH 50V 6800P	1	
C4015	ECUX1H103KBV	C. CAPACITOR CH 50V 0.01U	1	
C4016	ECUM2A472JCM	C. CAPACITOR CH 100V 4700P	1	
C4017	ECUX1H102KBV	C. CAPACITOR CH 50V 1000P	1	
C4019	ECUM1C474KBN	C. CAPACITOR CH 16V 0.47U	1	
C4020	ECUM1A105KBN	C. CAPACITOR CH 10V 1U	1	
C4021, 22	ECUX1H103KBV	C. CAPACITOR CH 50V 0.01U	2	
C4023	ECUX1H332KBV	C. CAPACITOR CH 50V 3300P	1	
C4024	ECST1CY475Z	T. CAPACITOR CH 18V 4.7U	1	
C4025	ECST0JY885Z	T. CAPACITOR CH 6.3V 6.8U	1	
C4026	ECUX1H103KBV	C. CAPACITOR CH 50V 0.01U	1	
C4027	ECST1AY225Z	T. CAPACITOR CH 10V 2.2U	1	
C4028	ECUX1H561JCV	C. CAPACITOR CH 50V 560P	1	
C4029	ECUX1H122KBV	C. CAPACITOR CH 50V 1200P	1	
C4030	ECUX1H151JCV	C. CAPACITOR CH 50V 150P	1	
C4031	ECUX1H561JCV	C. CAPACITOR CH 50V 560P	1	
C4032	ECUM1C224KBN	C. CAPACITOR CH 16V 0.22U	1	
C4034	ECUX1C104KBV	C. CAPACITOR CH 16V 0.1U	1	
C4035	ECUM1A105KBN	C. CAPACITOR CH 10V 1U	1	
C4036	ECST0JY335Z	T. CAPACITOR CH 6.3V 3.3U	1	
C4037	ECUX1H102KBV	C. CAPACITOR CH 50V 1000P	1	
C4038	ECST0JY106Z	T. CAPACITOR CH 6.3V 10U	1	
C4045	ECUX1C104KBV	C. CAPACITOR CH 16V 0.1U	1	
C4046	ECUX1H103KBV	C. CAPACITOR CH 50V 0.01U	1	
C4101	ECEVOJA131	E. CAPACITOR CH 6.3V 130U	1	
C4102	ECEV05A470	E. CAPACITOR CH 4V 47U	1	
C4104	ECST0JY106Z	T. CAPACITOR CH 6.3V 10U	1	
C4105	ECUM1H223KBN	C. CAPACITOR CH 50V 0.022U	1	
C4106	ECUM1C334KBN	C. CAPACITOR CH 16V 0.33U	1	
C4107	ECUM1A105KBN	C. CAPACITOR CH 10V 1U	1	
C4801	ECUX1C823KBV	C. CAPACITOR CH 16V 0.082U	1	
C4803	ECUX1E223KBV	C. CAPACITOR CH 25V 0.022U	1	
C4804	ECUX1H102KBV	C. CAPACITOR CH 50V 1000P	1	
C4805, 06	ECUX1E223KBV	C. CAPACITOR CH 25V 0.022U	2	
C4807	ECEV05A470	E. CAPACITOR CH 4V 47U	1	
C4809	ECUX1H152KBV	C. CAPACITOR CH 50V 1500P	1	
C4815	ECUX1H472KBV	C. CAPACITOR CH 50V 4700P	1	NV-VX57EN/ENH/A NV-VX37EN/ENH/A
C4816	ECST1CY105Z	T. CAPACITOR CH 18V 1U	1	
C4817	ECUX1E223KBV	C. CAPACITOR CH 25V 0.022U	1	
C4818	ECUX1H103KBV	C. CAPACITOR CH 50V 0.01U	1	
C5001-04	ECUX1H103KBV	C. CAPACITOR CH 50V 0.01U	4	
C5005-08	ECUX1H270JCV	C. CAPACITOR CH 50V 27P	4	
C5009, 10	ECUX1H103KBV	C. CAPACITOR CH 50V 0.01U	2	
C5011	ECUX1C473KBV	C. CAPACITOR CH 16V 0.047U	1	
C5012, 13	ECUX1H103KBV	C. CAPACITOR CH 50V 0.01U	2	
C5014	ECST0JY106Z	T. CAPACITOR CH 6.3V 10U	1	
C5016	ECST0JY106Z	T. CAPACITOR CH 6.3V 10U	1	
C5017	ECUX1H103KBV	C. CAPACITOR CH 50V 0.01U	1	
C5018	ECST0JY106Z	T. CAPACITOR CH 6.3V 10U	1	
C5019	ECUM1A105KBN	C. CAPACITOR CH 10V 1U	1	
C5020, 21	ECUX1H103KBV	C. CAPACITOR CH 50V 0.01U	2	
C5022	ECUX1C104KBV	C. CAPACITOR CH 16V 0.1U	1	
C5023-25	ECUX1H103KBV	C. CAPACITOR CH 50V 0.01U	3	
C5041	ECUX1H101JCV	C. CAPACITOR CH 50V 100P	1	
C5501	ECUX1H103KBV	C. CAPACITOR CH 50V 0.01U	1	
C5503	ECUX1H103KBV	C. CAPACITOR CH 50V 0.01U	1	
C5504, 05	ECUX1C104KBV	C. CAPACITOR CH 16V 0.1U	2	
C5506	ECUX1H103KBV	C. CAPACITOR CH 50V 0.01U	1	
C5507	ECEV05A470	E. CAPACITOR CH 4V 47U	1	
C5508	ECUX1H103KBV	C. CAPACITOR CH 50V 0.01U	1	
C5509	ECST0JY106Z	T. CAPACITOR CH 6.3V 10U	1	
C5510	ECUM1A105KBN	C. CAPACITOR CH 10V 1U	1	
C5511	ECUX1C104KBV	C. CAPACITOR CH 16V 0.1U	1	
C5512	ECEV05A470	E. CAPACITOR CH 4V 47U	1	
C5513	ECUX1C473KBV	C. CAPACITOR CH 16V 0.047U	1	
C5514	ECUM1A105KBN	C. CAPACITOR CH 10V 1U	1	
C5515	ECUX1H181JCV	C. CAPACITOR CH 50V 180P	1	
C5516	ECUX1H380JCV	C. CAPACITOR CH 50V 38P	1	
C5517, 18	ECUX1H103KBV	C. CAPACITOR CH 50V 0.01U	2	
C5519	ECUX1C104KBV	C. CAPACITOR CH 16V 0.1U	1	
C5520	ECUX1C333KBV	C. CAPACITOR CH 16V 0.033U	1	
C5521	ECUX1H103KBV	C. CAPACITOR CH 50V 0.01U	1	
C5522	ECUX1H090CCV	C. CAPACITOR CH 50V 9P	1	
C5523	ECUX1H180JCV	C. CAPACITOR CH 50V 18P	1	

Ref. No.	Part No.	Part Name & Description	Pcs	Remarks
C5524	EGST0JY10BZ	T. CAPACITOR CH 8.3V 10U	1	
C5525	ECUX1H103KBV	C. CAPACITOR CH 50V 0.01U	1	
C5526	ECUX1H040CCV	C. CAPACITOR CH 50V 4P	1	
C5527	ECUX1C104KBV	C. CAPACITOR CH 18V 0.1U	1	
C5530	ECUX1H331JCV	C. CAPACITOR CH 50V 330P	1	
C5531	ECUX1H103KBV	C. CAPACITOR CH 50V 0.01U	1	
C5533	ECUX1E273KBV	C. CAPACITOR CH 25V 0.027U	1	
C5534	ECUX1H103KBV	C. CAPACITOR CH 50V 0.01U	1	
C8001	ECUM1A105KBN	C. CAPACITOR CH 10V 1U	1	
C8003, 04	ECUX1H103KBV	C. CAPACITOR CH 50V 0.01U	2	
C8005	ECUX1H102KBV	C. CAPACITOR CH 50V 1000P	1	
C8006	ECUX1H103KBV	C. CAPACITOR CH 50V 0.01U	1	
C8010	ECEV1AA101U	E. CAPACITOR CH 10V 100U	1	
C8011	ECUX1H102KBV	C. CAPACITOR CH 50V 1000P	1	
C8012, 13	ECUX1H103KBV	C. CAPACITOR CH 50V 0.01U	2	
C8014	ECEV1CA470P	E. CAPACITOR CH 16V 47U	1	
C8015, 16	ECUX1H103KBV	C. CAPACITOR CH 50V 0.01U	2	
C8017	ECUX1H101JCV	C. CAPACITOR CH 50V 100P	1	
C8018	ECUX1H090CCV	C. CAPACITOR CH 50V 9P	1	
C8019	ECUM1A105KBN	C. CAPACITOR CH 10V 1U	1	
C8020, 21	ECUX1H103KBV	C. CAPACITOR CH 50V 0.01U	2	
C8022, 23	ECUX1H221JCV	C. CAPACITOR CH 50V 220P	2	
C8024, 25	ECUX1C104KBV	C. CAPACITOR CH 18V 0.1U	2	
C8026	ECUX1H103KBV	C. CAPACITOR CH 50V 0.01U	1	
C8027	ECUM1A105KBN	C. CAPACITOR CH 10V 1U	1	
C8028	ECUX1H102KBV	C. CAPACITOR CH 50V 1000P	1	
C8029	ECUX1C104KBV	C. CAPACITOR CH 18V 0.1U	1	
C8030	ECUM1C105ZFN	C. CAPACITOR CH 16V 1U	1	
C8031	ECUX1C104KBV	C. CAPACITOR CH 18V 0.1U	1	
C8032-34	ECUX1H103KBV	C. CAPACITOR CH 50V 0.01U	3	
C8038	ECEV05A470	E. CAPACITOR CH 4V 47U	1	
C8039	ECUX1H103KBV	C. CAPACITOR CH 50V 0.01U	1	
C8040, 41	ECUX1H150JCV	C. CAPACITOR CH 50V 15P	2	
C8042	ECUM1A105KBN	C. CAPACITOR CH 10V 1U	1	
C8044, 45	ECUX1H103KBV	C. CAPACITOR CH 50V 0.01U	2	
C8046	ECUM1A105KBN	C. CAPACITOR CH 10V 1U	1	
C8047	ECUX1H103KBV	C. CAPACITOR CH 50V 0.01U	1	
C8048	ECUM1A105KBN	C. CAPACITOR CH 10V 1U	1	
C8049	ECUX1H103KBV	C. CAPACITOR CH 50V 0.01U	1	
C8050	ECUM1H472KBN	C. CAPACITOR CH 50V 4700P	1	
C8051	ECUX1H103KBV	C. CAPACITOR CH 50V 0.01U	1	
C8053	ECEV06A221	E. CAPACITOR CH 4V 220U	1	
C8054	ECEV05A470	E. CAPACITOR CH 4V 47U	1	
C8055	ERJ3BEYJ273	M. RESISTOR CH 1/16W 27K	1	
C8056	ECUX1H152KBV	C. CAPACITOR CH 50V 1500P	1	
C8057, 58	ECUX1H222KBV	C. CAPACITOR CH 50V 2200P	2	
C8100	ECST0JY10BZ	T. CAPACITOR CH 8.3V 10U	1	
C8201	ECUX1H561JCV	C. CAPACITOR CH 50V 560P	1	
C8202, 03	ECEV1CA100	E. CAPACITOR CH 16V 10U	2	
C8205	ECEV1CA100	E. CAPACITOR CH 16V 10U	1	
C8206	ECUX1H102KBV	C. CAPACITOR CH 50V 1000P	1	
C8207	ECEV05A470	E. CAPACITOR CH 4V 47U	1	
C8208, 09	ECUX1H103KBV	C. CAPACITOR CH 50V 0.01U	2	
D301	MA111	DIODE	1	
D304	1SS355	DIODE	1	
D602	MA111	DIODE	1	
D1006, 07	MA111	DIODE	2	
D1009	MA8220-M	DIODE	1	
D1015	EC10Q503L12	DIODE	1	
D1020	1SS355	DIODE	1	
D1801-04	MA8160-M	DIODE	4	
D1708	MA111	DIODE	1	
D1801	MA132WK	DIODE	1	
D1802	MA728	DIODE	1	
D3001	MA133	DIODE	1	
D3002	MA132WK	DIODE	1	
D3004	MA111	DIODE	1	
D4001	MA8030	DIODE	1	
D4101	MA132WK	DIODE	1	
D6001	MA111	DIODE	1	
D6003	SB05-05CP	DIODE	1	
D6004	MA8030	DIODE	1	

Ref. No.	Part No.	Part Name & Description	Pcs	Remarks
D6005, 06	MA728	DIODE	2	
D6007	MA111	DIODE	1	
D6009, 10	MA132WA	DIODE	2	
D6011	MA132WK	DIODE	1	
D6012	MA132WA	DIODE	1	
D6013	MA111	DIODE	1	
D6014, 15	MA132WA	DIODE	2	
D6016	MA133	DIODE	1	
D6017	MA132WA	DIODE	1	
D6018	MA728	DIODE	1	
D6019	MA132WA	DIODE	1	
D6020	MA728	DIODE	1	
D6021, 22	MA132WA	DIODE	2	
D6023	MA728	DIODE	1	
D6025-27	MA132WA	DIODE	3	
D6030	ERJ8GEYOR00	M. RESISTOR CH 1/BW	0	
D6201	MA111	DIODE	1	
FP701	VJS3319B018	CONNECTOR (FEMALE)	18P	1
FP2001	VJS3911A007	CONNECTOR (FEMALE)	7P	1
FP2002	VJS2959B018	CONNECTOR (FEMALE)	18P	1
FP4001	VJS2959D009	CONNECTOR (FEMALE)	9P	1
FP4002	VJS3913B017P	CONNECTOR (FEMALE)	17P	1
FP5001	VJS2959B013	CONNECTOR (FEMALE)	13P	1
FP6001	VJS2959B018	CONNECTOR (FEMALE)	18P	1
FP6002	VJS2959B008	CONNECTOR (FEMALE)	8P	1
FP6003	VJS3930B021	CONNECTOR (FEMALE)	21P	1
FP6004	VJS3654B008	CONNECTOR (FEMALE)	8P	1
FP6005	VJS3931B006	CONNECTOR (FEMALE)	6P	1
FP6006	VJS3931B024	CONNECTOR (FEMALE)	24P	1
IC301	F712524CPBW	IC	1	
IC302	M623666P	IC	1	
IC303	XC82FP3302MR	IC	1	
IC304	BU2990-02	IC	1	
IC308	Z4C2973	IC	1	
IC309	ADS932E	IC	1	
IC313	MN7E002B2S1	IC	1	
IC314	M52948FP	IC	1	
IC315	MN31121SA	IC	1	
IC316	XC82FP3002MR	IC	1	
IC601	1R3Y31M	IC	1	
IC602	M623666P	IC	1	
IC701, 02	TB6528AF	IC	2	
IC706	NJM2115VA	IC	1	
IC711	TA75W01FU	IC	1	
IC1001	BA9706K	IC	1	
IC2201	TB6538F	IC	1	
IC2202, 03	UN224	TRANSISTOR-RESISTOR	2	
IC3001	HA118603F	IC	1	
IC4101	NJM2166V	IC	1	
IC5001	AN3355FHP	IC	1	
IC5501	MSM7470-73MS	IC	1	
IC6001	TA75W393FU	IC	1	
IC6002	S3514AEFSTB	IC	1	
IC6003	MN103004KCF	IC	1	NV-VX57EG/E
IC6003	MN103004KCH	IC	1	NV-VX54B
				NV-VX57EN/ENH/A
				NV-VX37EN/ENH/A
IC6004	XC82FP3702MR	IC	1	
IC6005	BA6289F	IC	1	
IC6006	TA75W393FU	IC	1	
IC6007	S80821ANNP	IC	1	
IC6008	AK8480AF	IC	1	
IC6009	S80825ANNP	IC	1	
IC6010	XC82FP2802PR	IC	1	
IC6011	XC82FP3002MR	IC	1	
IC6201	BA8400FV	IC	1	
IC6202	XC82FP3002MR	IC	1	
L301	VLQ0319K100	COIL	10UH	1
L302	VLQ0426J220	COIL	22UH	1
L303	ELJFA390J8	CHIP INDUCTOR	39UH	1
L304	VLQ0426J1R5	COIL	1.5UH	1
L305	ELJPA470K8	COIL	47UH	1

Ref. No.	Part No.	Part Name & Description	Pcs	Remarks
L308	VLQ0426J220	COIL 22UH	1	
L307	VLQ0426J100	COIL 10UH	1	
L318	VLQ0426J5R6	COIL 5.8UH	1	
L322	VLQ0426J330	COIL 33UH	1	
L801_02	ELJPA470KB	COIL 47UH	2	
L813	ELJPA470KB	COIL 47UH	1	
L870	ELJFA330JB	CHIP INDUCTOR 33UH	1	
L703	VLQ0319K100	COIL 10UH	1	
L1001	VLQ0833M4R7	COIL 4.7UH	1	
L1002	VLQ0827M220	COIL 22UH	1	
L1003	VLQ0834M4R7	COIL 4.7UH	1	
L1004	VLQ0319K100	COIL 10UH	1	
L1006	VLQ0319K100	COIL 10UH	1	
L1007	VLQ0827M470	COIL 47UH	1	
L1008	VLQ0319M4R7	COIL 4.7UH	1	
L1010	VLQ0319K100	COIL 10UH	1	
L1011	VLQ0319K101	COIL 100UH	1	
L1014	VLQ0319K100	COIL 10UH	1	
L1015	ELJPA470KB	COIL 47UH	1	
L1081_82	VLQ0827M330	COIL 33UH	2	
L1801	VLQ0319K100	COIL 10UH	1	
L3001	ELJPA470KB	COIL 47UH	1	
L3002	VLQ0319K100	COIL 10UH	1	
L3003	ELJFA820JB	CHIP INDUCTOR 82UH	1	
L3004	VLQ0426J120	COIL 12UH	1	
L4005	VLQ0319K101	COIL 100UH	1	
L4101_02	VLQ0319K101	COIL 100UH	2	
L5001-04	ELJPA470KB	COIL 47UH	4	
L5501	ELJPA470KB	COIL 47UH	1	
L5502	ELJFA100JB	CHIP INDUCTOR 10UH	1	
L5503	VLQ0895	CHIP INDUCTOR	1	
L5504	ELJFA390JB	CHIP INDUCTOR 39UH	1	
L5506	ELJPA470KB	COIL 47UH	1	
L5507	ELJFA121JB	CHIP INDUCTOR 120UH	1	
L5508	VLQ0163J471	COIL 470UH	1	
L6201	ELJPA470KB	COIL 47UH	1	
LB302-04	VLP0175	COIL	3	
LB306	VLP0175	COIL	1	
LB309_10	VLP0153	COIL	2	
LB312	VLP0175	COIL	1	
LB601	VLP0175	COIL	1	
LB1601_02	VLP0307	COIL	2	
LB4001	VLP0146	COIL	1	
LB6001-04	VLP0153	COIL	4	
P601	VJP4004A010P	CONNECTOR (MALE) 10P	1	
P602	VJP4004A012P	CONNECTOR (MALE) 12P	1	
P1001	VJP3172B004	CONNECTOR (MALE) 4P	1	
P4101	VJP3172B002	CONNECTOR (MALE) 2P	1	
PP301	VJP3358A012	CONNECTOR (MALE) 12P	1	
PP3001	VJP3358D040	CONNECTOR (MALE) 40P	1	
PS1003	VJS4005B006	CONNECTOR (FEMALE) 6P	1	
PS3009	VJS4005B004	CONNECTOR (FEMALE) 4P	1	
Q201	XP4601	TRANSISTOR-TRANSISTOR	1	
Q301	XP4401	TRANSISTOR	1	
Q302	2SB1462-R	TRANSISTOR	1	
Q304	2SD2216	TRANSISTOR	1	
Q501	2SB1462-R	TRANSISTOR	1	
Q502	XP1501	TRANSISTOR-TRANSISTOR	1	
Q504	2SB1462-R	TRANSISTOR	1	
Q508	XP1501	TRANSISTOR-TRANSISTOR	1	
Q509	2SD2216-R	TRANSISTOR	1	
Q510	XP1401	TRANSISTOR-TRANSISTOR	1	
Q511	2SD2216-R	TRANSISTOR	1	
Q514	XP4601	TRANSISTOR-TRANSISTOR	1	
Q802	XP4601	TRANSISTOR-TRANSISTOR	1	
Q804	2SB1462-R	TRANSISTOR	1	
Q701-03	1MT17T110	TRANSISTOR	3	
Q704	2SD601A	TRANSISTOR	1	
Q706	1MT17T110	TRANSISTOR	1	
Q707	2SB798	TRANSISTOR	1	

Ref. No.	Part No.	Part Name & Description	Pcs	Remarks
Q708	XP4501	TRANSISTOR-TRANSISTOR	1	
Q780	2SD874	TRANSISTOR	1	
Q781	2SB1462-R	TRANSISTOR	1	
Q1001	2SB1073	TRANSISTOR	1	
Q1003	MPL1	TRANSISTOR	1	
Q1004	2SD2210	TRANSISTOR	1	
Q1010	2SB1462-R	TRANSISTOR	1	
Q1081_82	MPL1	TRANSISTOR	2	
Q1801	2SD2216-R	TRANSISTOR	1	
Q1802_03	XP1401	TRANSISTOR-TRANSISTOR	2	
Q1804	2SD2216-R	TRANSISTOR	1	
Q1805	2SD2216	TRANSISTOR	1	
Q3001	XP4501	TRANSISTOR-TRANSISTOR	1	
Q3002	XP4401	TRANSISTOR	1	
Q3003_04	2SD2216	TRANSISTOR	2	
Q3005	2SC4827	TRANSISTOR	1	
Q3006	XP4601	TRANSISTOR-TRANSISTOR	1	
Q3007	XP4401	TRANSISTOR	1	
Q3009	XP4601	TRANSISTOR-TRANSISTOR	1	
Q3010	XP4501	TRANSISTOR-TRANSISTOR	1	
Q4001	XP6401	TRANSISTOR	1	
Q4002	2SD602-R	TRANSISTOR	1	
Q4003	2SB1219	TRANSISTOR	1	
Q4004	XP4501	TRANSISTOR-TRANSISTOR	1	
Q4006	2SB1462-R	TRANSISTOR	1	
Q4007	XP4501	TRANSISTOR-TRANSISTOR	1	
Q4009	2SD2216	TRANSISTOR	1	
Q4014	XP4601	TRANSISTOR-TRANSISTOR	1	
Q4801	2SD2216	TRANSISTOR	1	
Q4802	XP4501	TRANSISTOR-TRANSISTOR	1	
Q4804	XP4501	TRANSISTOR-TRANSISTOR	1	
Q4805	2SD2216	TRANSISTOR	1	
Q5001_02	XN4504	TRANSISTOR-TRANSISTOR	2	
Q5003	2SA812	TRANSISTOR	1	
Q5501	2SD2216	TRANSISTOR	1	
Q5502_03	2SB1462-R	TRANSISTOR	2	
Q5504	2SD2216	TRANSISTOR	1	
Q6001	2SD1030	TRANSISTOR	1	
Q6002	2SB1462-R	TRANSISTOR	1	
Q6003	2SD2216	TRANSISTOR	1	
Q6004	2SD874	TRANSISTOR	1	
Q6005	XP6501	TRANSISTOR	1	
Q6006	XP1501	TRANSISTOR-TRANSISTOR	1	
QR301	MRN2103	TRANSISTOR-RESISTOR	1	
QR302	MRN2107	TRANSISTOR-RESISTOR	1	
QR303	MRN1111	TRANSISTOR-RESISTOR	1	
QR304	XP1213	TRANSISTOR-RESISTOR	1	
QR305	MRN1104	TRANSISTOR-RESISTOR	1	
QR501	MRN2103	TRANSISTOR-RESISTOR	1	
QR504	UN2130X	TRANSISTOR-RESISTOR	1	
QR701	MRN1102	TRANSISTOR-RESISTOR	1	
QR781	UN2130X	TRANSISTOR-RESISTOR	1	
QR782	MRN1103	TRANSISTOR-RESISTOR	1	
QR1001	MRN2102	TRANSISTOR-RESISTOR	1	
QR1005	UN9217	TRANSISTOR-RESISTOR	1	
QR1081	MRN2111	TRANSISTOR-RESISTOR	1	
QR1701	UN2130X	TRANSISTOR-RESISTOR	1	
QR1702	MRN1107	TRANSISTOR-RESISTOR	1	
QR2002	MRN1111	TRANSISTOR-RESISTOR	1	
QR3003	MRN1103	TRANSISTOR-RESISTOR	1	
QR3004	XP4312	TRANSISTOR-RESISTOR	1	
QR3005	XP1212	TRANSISTOR-TRANSISTOR	1	
QR3006_07	MRN1111	TRANSISTOR-RESISTOR	2	
QR4003	MRN2103	TRANSISTOR-RESISTOR	1	
QR4004	XP1215	TRANSISTOR-TRANSISTOR	1	
QR4005	MRN1104	TRANSISTOR-RESISTOR	1	
QR4008	MRN1104	TRANSISTOR-RESISTOR	1	
QR5502	MRN1103	TRANSISTOR-RESISTOR	1	
QR6001	MRN2107	TRANSISTOR-RESISTOR	1	
QR6002	MRN1102	TRANSISTOR-RESISTOR	1	
QR6003_04	XP4115	TRANSISTOR-RESISTOR	2	
QR6005	MRN2103	TRANSISTOR-RESISTOR	1	
QR6007	MRN1102	TRANSISTOR-RESISTOR	1	
QR6008	MRN1107	TRANSISTOR-RESISTOR	1	

Ref. No.	Part No.	Part Name & Description	Pcs	Remarks
QR8009	UN9210	TRANSISTOR-RESISTOR	1	
QR8010	XP1213	TRANSISTOR-RESISTOR	1	
QR8011	MRN2111	TRANSISTOR-RESISTOR	1	
QR8012	UN9110	TRANSISTOR-RESISTOR	1	
QR8013	MRN2111	TRANSISTOR-RESISTOR	1	
QR8014	MRN1111	TRANSISTOR-RESISTOR	1	
QR8050	XP1213	TRANSISTOR-RESISTOR	1	
QR8801	MRN2111	TRANSISTOR-RESISTOR	1	
R301	ERJ3GEYJ391	M. RESISTOR CH 1/16W 390	1	
R302	ERJ3GEYOR00	M. RESISTOR CH 1/16W 0	1	
R303, 04	ERJ3GEYJ102	M. RESISTOR CH 1/16W 1K	2	
R305	ERJ3GEYJ681	M. RESISTOR CH 1/16W 680	1	
R307	ERJ3GEYJ102	M. RESISTOR CH 1/16W 1K	1	
R308	ERJ3GEYJ473	M. RESISTOR CH 1/16W 47K	1	
R309	ERJ3GEYJ123	M. RESISTOR CH 1/16W 12K	1	
R310, 11	ERJ3GEYJ152	M. RESISTOR CH 1/16W 1.5K	2	
R312	ERJ3GEYJ472	M. RESISTOR CH 1/16W 4.7K	1	
R313	ERJ3GEYJ471	M. RESISTOR CH 1/16W 470	1	
R314	ECUX1H101JCV	C. CAPACITOR CH 50V 100P	1	
R315	ERJ3GEYJ152	M. RESISTOR CH 1/16W 1.5K	1	
R316	ERJ3GEYJ331	M. RESISTOR CH 1/16W 330	1	
R317	ERJ3GEYJ272	M. RESISTOR CH 1/16W 2.7K	1	
R318	ERJ3GEYJ181	M. RESISTOR CH 1/16W 180	1	
R319	ERJ3GEYJ473	M. RESISTOR CH 1/16W 47K	1	
R320	ERJ3GEYJ222	M. RESISTOR CH 1/16W 2.2K	1	
R321	ERJ3GEYJ105	M. RESISTOR CH 1/16W 1M	1	
R323	ERJ3GEYJ102	M. RESISTOR CH 1/16W 1K	1	
R324	ERJ3GEYJ124	M. RESISTOR CH 1/16W 120K	1	
R325	ERJ3RBD683	M. RESISTOR CH 1/16W 68K	1	
R326	ERJ3RBD223	M. RESISTOR CH 1/16W 22K	1	
R327	ERJ3GEYJ103	M. RESISTOR CH 1/16W 10K	1	
R328	ERJ3GEYJ472	M. RESISTOR CH 1/16W 4.7K	1	
R329	ERJ3GEYJ681	M. RESISTOR CH 1/16W 680	1	
R330	ERJ3GEYJ473	M. RESISTOR CH 1/16W 47K	1	
R331	ERJ3RBD132	M. RESISTOR CH 1/16W 1.3K	1	
R332	ERJ3GEYJ472	M. RESISTOR CH 1/16W 4.7K	1	
R333	ERJ3GEYJ102	M. RESISTOR CH 1/16W 1K	1	
R334	ERJ3GEYJ101	M. RESISTOR CH 1/16W 100	1	
R335	ERJ3GEYJ561	M. RESISTOR CH 1/16W 560	1	
R336	ERJ3GEYJ152	M. RESISTOR CH 1/16W 1.5K	1	
R337	ERJ3GEYJ103	M. RESISTOR CH 1/16W 10K	1	
R338	ERJ3GEYJ102	M. RESISTOR CH 1/16W 1K	1	
R339	ERJ3GEYJ154	M. RESISTOR CH 1/16W 150K	1	
R340	ERJ3GEYJ103	M. RESISTOR CH 1/16W 10K	1	
R341	ERJ3GEYJ472	M. RESISTOR CH 1/16W 4.7K	1	
R342, 43	ERJ3RBD152	M. RESISTOR CH 1/16W 1.5K	2	
R344, 45	ERJ3GEYJ103	M. RESISTOR CH 1/16W 10K	2	
R346	ERJ3GEYJ102	M. RESISTOR CH 1/16W 1K	1	
R347	ERJ3GEYJ103	M. RESISTOR CH 1/16W 10K	1	
R358	ERJ3GEYJ471	M. RESISTOR CH 1/16W 470	1	
R359	ERJ3GEYJ332	M. RESISTOR CH 1/16W 3.3K	1	
R360	ERJ3GEYJ473	M. RESISTOR CH 1/16W 47K	1	
R361	ERJ3GEYJ472	M. RESISTOR CH 1/16W 4.7K	1	
R363	ERJ3GEYJ102	M. RESISTOR CH 1/16W 1K	1	
R364, 65	ERJ3GEYJ472	M. RESISTOR CH 1/16W 4.7K	2	
R370	ERJ3GEYJ102	M. RESISTOR CH 1/16W 1K	1	
R373	ERJ3GEYJ153	M. RESISTOR CH 1/16W 15K	1	
R376	ERJ3GEYJ103	M. RESISTOR CH 1/16W 10K	1	
R377	ERJ3RBD473	M. RESISTOR CH 1/16W 47K	1	
R379	ERJ3GEYJ821	M. RESISTOR CH 1/16W 820	1	
R380	ERJ3GEYJ222	M. RESISTOR CH 1/16W 2.2K	1	
R381	ERJ3GEYJ472	M. RESISTOR CH 1/16W 4.7K	1	
R382	ERJ3GEYJ103	M. RESISTOR CH 1/16W 10K	1	
R388	ERJ3GEYJ472	M. RESISTOR CH 1/16W 4.7K	1	
R388	ERJ3GEYJ101	M. RESISTOR CH 1/16W 100	1	
R394	ERJ3GEYJ331	M. RESISTOR CH 1/16W 330	1	
R396	ERJ3GEYJ103	M. RESISTOR CH 1/16W 10K	1	
R400	ERJ3GEYJ102	M. RESISTOR CH 1/16W 1K	1	
R401	ERJ3GEYJ104	M. RESISTOR CH 1/16W 100K	1	
R502	ERJ3GEYJ681	M. RESISTOR CH 1/16W 680	1	
R503	ERJ3GEYJ472	M. RESISTOR CH 1/16W 4.7K	1	
R504	ERJ3GEYJ223	M. RESISTOR CH 1/16W 22K	1	
R505	ERJ3GEYJ333	M. RESISTOR CH 1/16W 33K	1	
R506	ERJ3GEYJ514	M. RESISTOR CH 1/16W 510K	1	

Ref. No.	Part No.	Part Name & Description	Pcs	Remarks
R507	ERJ3RBD823	M. RESISTOR CH 1/16W 82K	1	
R508	ERJ3GEYJ821	M. RESISTOR CH 1/16W 820	1	
R509	ERJ6RED514	M. RESISTOR CH 1/10W 510K	1	
R511	ERJ3GEYJ103	M. RESISTOR CH 1/16W 10K	1	
R512	ERJ3GEYJ102	M. RESISTOR CH 1/16W 1K	1	
R514	ERJ3GEYJ104	M. RESISTOR CH 1/16W 100K	1	
R515	ERJ3GEYJ224	M. RESISTOR CH 1/16W 220K	1	
R516	ERJ3GEYOR00	M. RESISTOR CH 1/16W 0	1	
R523	ERJ3GEYJ133	M. RESISTOR CH 1/16W 13K	1	
R525	ERJ3RED274	M. RESISTOR CH 1/16W 270K	1	
R526	ERJ3GEYJ472	M. RESISTOR CH 1/16W 4.7K	1	
R527	ERJ3RBD683	M. RESISTOR CH 1/16W 68K	1	
R532	ERJ3GEYJ333	M. RESISTOR CH 1/16W 33K	1	
R534	ERJ3GEYJ104	M. RESISTOR CH 1/16W 100K	1	
R540	ERJ3GEYJ221	M. RESISTOR CH 1/16W 220	1	
R601	ERJ3RBD132	M. RESISTOR CH 1/16W 1.3K	1	
R602	ERJ3GEYJ102	M. RESISTOR CH 1/16W 1K	1	
R603	ERJ3GEYJ221	M. RESISTOR CH 1/16W 220	1	
R604	ERJ3GEYJ272	M. RESISTOR CH 1/16W 2.7K	1	
R605	ERJ3GEYJ562	M. RESISTOR CH 1/16W 5.6K	1	
R606	ERJ3GEYJ392	M. RESISTOR CH 1/16W 3.9K	1	
R607	ERJ3GEYOR00	M. RESISTOR CH 1/16W 0	1	
R608	ERJ3GEYJ273	M. RESISTOR CH 1/16W 27K	1	
R610	ERJ3GEYJ333	M. RESISTOR CH 1/16W 33K	1	
R611	ERJ3GEYOR00	M. RESISTOR CH 1/16W 0	1	
R612	ERJ3GEYJ105	M. RESISTOR CH 1/16W 1M	1	
R615	ERJ3RBD183	M. RESISTOR CH 1/16W 18K	1	
R616	ERJ3GEYJ684	M. RESISTOR CH 1/16W 680K	1	
R617	ERJ3GEYJ472	M. RESISTOR CH 1/16W 4.7K	1	
R618	ERJ3GEYJ564	M. RESISTOR CH 1/16W 560K	1	
R619	ERJ3GEYJ822	M. RESISTOR CH 1/16W 8.2K	1	
R621	ERJ3GEYJ472	M. RESISTOR CH 1/16W 4.7K	1	
R622	ERJ3GEYJ393	M. RESISTOR CH 1/16W 39K	1	
R623	ERJ3GEYJ223	M. RESISTOR CH 1/16W 22K	1	
R624	ERJ3GEYOR00	M. RESISTOR CH 1/16W 0	1	
R625	ERJ3GEYJ152	M. RESISTOR CH 1/16W 1.5K	1	
R626	ERJ3GEYJ473	M. RESISTOR CH 1/16W 47K	1	
R627	ERJ3GEYJ333	M. RESISTOR CH 1/16W 33K	1	
R632, 33	ERJ3GEYJ472	M. RESISTOR CH 1/16W 4.7K	2	
R634	ERJ3GEYJ332	M. RESISTOR CH 1/16W 3.3K	1	
R635	ERJ3GEYJ472	M. RESISTOR CH 1/16W 4.7K	1	
R636	ERJ3GEYJ103	M. RESISTOR CH 1/16W 10K	1	
R637, 38	ERJ3GEYJ472	M. RESISTOR CH 1/16W 4.7K	2	
R639, 40	ERJ3GEYJ153	M. RESISTOR CH 1/16W 15K	2	
R643	ERJ3GEYJ472	M. RESISTOR CH 1/16W 4.7K	1	
R645	ERJ3GEYJ103	M. RESISTOR CH 1/16W 10K	1	
R646	ERJ3GEYJ823	M. RESISTOR CH 1/16W 82K	1	
R649	ERJ3GEYJ822	M. RESISTOR CH 1/16W 8.2K	1	
R651	ERJ3GEYJ153	M. RESISTOR CH 1/16W 15K	1	
R652	ERJ3GEYJ393	M. RESISTOR CH 1/16W 39K	1	
R654, 55	ERJ3GEYJ221	M. RESISTOR CH 1/16W 220	2	
R657	ERJ3GEYJ182	M. RESISTOR CH 1/16W 1.8K	1	
R666, 67	ERJ3GEYJ563	M. RESISTOR CH 1/16W 56K	2	
R672	ERJ3GEYJ103	M. RESISTOR CH 1/16W 10K	1	
R673	ERJ3GEYJ102	M. RESISTOR CH 1/16W 1K	1	
R675-77	ERJ3GEYJ561	M. RESISTOR CH 1/16W 560	3	
R682	ERJ3GEYJ271	M. RESISTOR CH 1/16W 270	1	
R687	ERJ3GEYJ473	M. RESISTOR CH 1/16W 47K	1	
R689	ERJ3GEYJ273	M. RESISTOR CH 1/16W 27K	1	
R691	ERJ3GEYJ106	M. RESISTOR CH 1/16W 10M	1	
R694	ERJ3GEYJ272	M. RESISTOR CH 1/16W 2.7K	1	
R701-04	ERJ3GEYJ3R3	M. RESISTOR CH 1/16W 3.3	4	
R705	ERJ3GEYJ123	M. RESISTOR CH 1/16W 12K	1	
R706	ERJ3GEYJ152	M. RESISTOR CH 1/16W 1.5K	1	
R707	ERJ3GEYJ101	M. RESISTOR CH 1/16W 100	1	
R708	ERJ3GEYJ271	M. RESISTOR CH 1/16W 270	1	
R709	ERJ3GEYJ102	M. RESISTOR CH 1/16W 1K	1	
R711	ERJ3GEYJ222	M. RESISTOR CH 1/16W 2.2K	1	
R712	ERJ3GEYJ473	M. RESISTOR CH 1/16W 47K	1	
R713	ERJ3GEYJ222	M. RESISTOR CH 1/16W 2.2K	1	
R716	ERJ3GEYJ102	M. RESISTOR CH 1/16W 1K	1	
R717	ERJ3GEYJ560	M. RESISTOR CH 1/16W 56	1	
R718	ERJ3GEYJ223	M. RESISTOR CH 1/16W 22K	1	
R722	ERJ3GEYJ333	M. RESISTOR CH 1/16W 33K	1	
R723	ERJ3RBD221	M. RESISTOR CH 1/16W 220	1	

Ref. No.	Part No.	Part Name & Description	Pcs	Remarks
R726	ERJ3GEYJ471	M. RESISTOR CH 1/16W 470	1	
R727	ERJ3GEYJ223	M. RESISTOR CH 1/16W 22K	1	NV-VX57EG/E/EN/ENH/A NV-VX37EN/ENH/A
R727	ERJ3GEYJ273	M. RESISTOR CH 1/16W 27K	1	NV-VX54B
R728	ERJ3GEYJ682	M. RESISTOR CH 1/16W 6.8K	1	
R729	ERJ3GEYJ273	M. RESISTOR CH 1/16W 27K	1	NV-VX57EG/E/EN/ENH/A NV-VX37EN/ENH/A
R729	ERJ3GEYJ333	M. RESISTOR CH 1/16W 33K	1	NV-VX54B
R730	ERJ3GEYJ822	M. RESISTOR CH 1/16W 8.2K	1	
R731	ERJ3GEYJ683	M. RESISTOR CH 1/16W 68K	1	
R732	ERJ3GEYJ273	M. RESISTOR CH 1/16W 27K	1	
R733	ERJ3GEYJ564	M. RESISTOR CH 1/16W 560K	1	
R734, 35	ERJ3GEYJ123	M. RESISTOR CH 1/16W 12K	2	
R738, 37	ERJ3GEYJ684	M. RESISTOR CH 1/16W 680K	2	
R738	ERJ3GEYJ154	M. RESISTOR CH 1/16W 150K	1	
R740	ERJ3GEYJ124	M. RESISTOR CH 1/16W 120K	1	
R743	ERJ3RBD752	M. RESISTOR CH 1/16W 7.5K	1	
R745	ERJ3GEYJ472	M. RESISTOR CH 1/16W 4.7K	1	
R761	ERJ3RBD222	M. RESISTOR CH 1/16W 2.2K	1	
R780	ERJ6GEYJ150	M. RESISTOR CH 1/10W 15	1	
R781	ERJ3GEYJ102	M. RESISTOR CH 1/16W 1K	1	
R782	ERJ3GEYJ122	M. RESISTOR CH 1/16W 1.2K	1	
R784, 85	ERJ3GEYJ222	M. RESISTOR CH 1/16W 2.2K	2	
R786	ERJ3GEYJ103	M. RESISTOR CH 1/16W 10K	1	NV-VX57EN/ENH/A NV-VX37EN/ENH/A
R1001	ERJ3RBD822	M. RESISTOR CH 1/16W 8.2K	1	
R1002	ERJ3RBD272	M. RESISTOR CH 1/16W 2.7K	1	
R1005	ERJ3RBD472	M. RESISTOR CH 1/16W 4.7K	1	
R1006	ERJ3RBD272	M. RESISTOR CH 1/16W 2.7K	1	
R1007	ERJ8GEYJ330	M. RESISTOR CH 1/8W 33	1	
R1008	ERJ3RBD183	M. RESISTOR CH 1/16W 18K	1	
R1009	ERJ3RBD152	M. RESISTOR CH 1/16W 1.5K	1	
R1012	ERJ6RHD1872	M. RESISTOR CH 1/10W 18.7K	1	
R1013	ERJ6RBD473	M. RESISTOR CH 1/10W 47K	1	
R1014, 15	ERJ6RBD182	M. RESISTOR CH 1/10W 1.8K	2	
R1016	ERJ3RBD153	M. RESISTOR CH 1/16W 15K	1	
R1017	ERJ3GEYJ102	M. RESISTOR CH 1/16W 1K	1	
R1018	ERJ3GEYJ151	M. RESISTOR CH 1/16W 150	1	
R1019	ERJ3GEYJ332	M. RESISTOR CH 1/16W 3.3K	1	
R1020	ERJ3GEYJ151	M. RESISTOR CH 1/16W 150	1	
R1021	ERJ3GEYJ330	M. RESISTOR CH 1/16W 33	1	
R1022	ERJ3GEYJ220	M. RESISTOR CH 1/16W 22	1	
R1023	ERJ3GEYJ182	M. RESISTOR CH 1/16W 1.8K	1	
R1024	ERJ3GEYJ470	M. RESISTOR CH 1/16W 47	1	
R1025	ERJ3GEYJ223	M. RESISTOR CH 1/16W 22K	1	
R1035	ERJ3GEYJ470	M. RESISTOR CH 1/16W 47	1	
R1038	ERJ3RBD101	M. RESISTOR CH 1/16W 100	1	
R1039	ERJ3RBD561	M. RESISTOR CH 1/16W 560	1	
R1040	ERJ3RED430	M. RESISTOR CH 1/16W 43	1	
R1052	ERJ3GEYJ823	M. RESISTOR CH 1/16W 82K	1	
R1057	ERJ3GEYJ182	M. RESISTOR CH 1/16W 1.8K	1	
R1063	ERJ3GEYJ103	M. RESISTOR CH 1/16W 10K	1	
R1064, 65	ERJ3GEYJ122	M. RESISTOR CH 1/16W 1.2K	2	
R1066	ERJ3GEYJ392	M. RESISTOR CH 1/16W 3.9K	1	
R1067	ERJ3GEYJ223	M. RESISTOR CH 1/16W 22K	1	
R1068	ERJ3GEYJ392	M. RESISTOR CH 1/16W 3.9K	1	
R1069	ERJ3GEYJ104	M. RESISTOR CH 1/16W 100K	1	
R1071	ERJ3GEYJ102	M. RESISTOR CH 1/16W 1K	1	
R1072	ERJ3GEYJ104	M. RESISTOR CH 1/16W 100K	1	
R1073	ERJ3GEYJ101	M. RESISTOR CH 1/16W 100	1	
R1085, 86	ERJ3GEYJ102	M. RESISTOR CH 1/16W 1K	2	
R1601	VSF0226025T	FUSE	1	
R1602	ERJ3GEYJ124	M. RESISTOR CH 1/16W 120K	1	
R1603	ERJ3GEYJ684	M. RESISTOR CH 1/16W 680K	1	
R1699	ERJ3GEYJ181	M. RESISTOR CH 1/16W 180	1	
R1702	ERJ3GEYJ122	M. RESISTOR CH 1/16W 1.2K	1	
R1724	ERJ3GEYJ123	M. RESISTOR CH 1/16W 12K	1	
R1726	ERJ3GEYJ472	M. RESISTOR CH 1/16W 4.7K	1	
R1727	ERJ3GEYJ392	M. RESISTOR CH 1/16W 3.9K	1	
R1801	ERJ6RBD683	M. RESISTOR CH 1/10W 68K	1	
R1802	ERJ3RBD222	M. RESISTOR CH 1/16W 2.2K	1	
R1803	ERJ3RBD223	M. RESISTOR CH 1/16W 22K	1	
R1804	ERJ3GEYJ153	M. RESISTOR CH 1/16W 15K	1	
R1808	ERJ3GEYJ474	M. RESISTOR CH 1/16W 470K	1	
R1809	ERJ3GEYJ273	M. RESISTOR CH 1/16W 27K	1	

Ref. No.	Part No.	Part Name & Description	Pcs	Remarks
R1810	ERJ3GEYJ474	M. RESISTOR CH 1/16W 470K	1	
R1811	ERJ3GEYJ124	M. RESISTOR CH 1/16W 120K	1	
R1812	ERJ3GEYJ683	M. RESISTOR CH 1/16W 68K	1	
R1813	ERJ3GEYJ474	M. RESISTOR CH 1/16W 470K	1	
R1814	ERJ3GEYJ153	M. RESISTOR CH 1/16W 15K	1	
R1815, 16	ERJ3GEYJ474	M. RESISTOR CH 1/16W 470K	2	
R1820, 21	ERJ3GEYOR00	M. RESISTOR CH 1/16W 0	2	
R1824	ERJ3GEYOR00	M. RESISTOR CH 1/16W 0	1	
R2001, 02	ERJ3GEYJ473	M. RESISTOR CH 1/16W 47K	2	
R2010	ERJ3GEYJ103	M. RESISTOR CH 1/16W 10K	1	
R2012	ERJ3GEYJ684	M. RESISTOR CH 1/16W 680K	1	
R2019, 20	ERJ3GEYJ471	M. RESISTOR CH 1/16W 470	2	
R2201	ERJ3GEYJ224	M. RESISTOR CH 1/16W 220K	1	
R2202	ERJ3GEYJ102	M. RESISTOR CH 1/16W 1K	1	
R2203	ERJ3GEYJ151	M. RESISTOR CH 1/16W 150	1	
R2205	ERJ8GEYJR33	M. RESISTOR CH 1/8W 0.33	1	
R2206	ERJ3GEYJ222	M. RESISTOR CH 1/16W 2.2K	1	
R2207	ERJ3GEYJ473	M. RESISTOR CH 1/16W 47K	1	
R2209	ERJ3GEYJ474	M. RESISTOR CH 1/16W 470K	1	
R2210	ERJ3GEYJ392	M. RESISTOR CH 1/16W 3.9K	1	
R2211	ERJ3GEYJ154	M. RESISTOR CH 1/16W 150K	1	
R2212	ERJ3GEYJ222	M. RESISTOR CH 1/16W 2.2K	1	
R2213	ERJ3GEYJ101	M. RESISTOR CH 1/16W 100	1	
R2216	ERJ8RJR22	M. RESISTOR CH 1/8W 0.22	1	
R3001	ERJ3GEYJ122	M. RESISTOR CH 1/16W 1.2K	1	
R3002	ERJ3RBD242	M. RESISTOR CH 1/16W 2.4K	1	
R3003	ERJ3GEYJ222	M. RESISTOR CH 1/16W 2.2K	1	
R3004	ERJ3GEYJ122	M. RESISTOR CH 1/16W 1.2K	1	
R3005	ERJ3GEYJ392	M. RESISTOR CH 1/16W 3.9K	1	
R3006	ERJ3RBD682	M. RESISTOR CH 1/16W 6.8K	1	
R3007	ERJ3RBD202	M. RESISTOR CH 1/16W 2K	1	
R3009	ERJ3GEYJ393	M. RESISTOR CH 1/16W 39K	1	
R3010	ERJ3GEYJ333	M. RESISTOR CH 1/16W 33K	1	
R3011	ERJ3RBD102	M. RESISTOR CH 1/16W 1K	1	
R3012	ERJ3RBD822	M. RESISTOR CH 1/16W 8.2K	1	
R3013	ERJ3RBD682	M. RESISTOR CH 1/16W 6.8K	1	
R3015	ERJ3GEYJ471	M. RESISTOR CH 1/16W 470	1	
R3016	ERJ3GEYJ272	M. RESISTOR CH 1/16W 2.7K	1	NV-VX57EG/E NV-VX54B
R3016	ERJ3GEYJ472	M. RESISTOR CH 1/16W 4.7K	1	NV-VX57EN/ENH/A NV-VX37EN/ENH/A
R3017	ERJ3GEYJ101	M. RESISTOR CH 1/16W 100	1	NV-VX57EG/E NV-VX54B
R3017	ERJ3GEYJ181	M. RESISTOR CH 1/16W 180	1	NV-VX57EN/ENH/A NV-VX37EN/ENH/A
R3018	ERJ3GEYOR00	M. RESISTOR CH 1/16W 0	1	
R3019	ERJ3GEYJ104	M. RESISTOR CH 1/16W 100K	1	
R3020	ERJ3GEYJ183	M. RESISTOR CH 1/16W 18K	1	
R3021	ERJ3GEYJ472	M. RESISTOR CH 1/16W 4.7K	1	
R3022	ERJ3GEYJ223	M. RESISTOR CH 1/16W 22K	1	
R3023	ERJ3GEYJ273	M. RESISTOR CH 1/16W 27K	1	
R3024	ERJ3RBD821	M. RESISTOR CH 1/16W 820	1	
R3025	ERJ3GEYJ123	M. RESISTOR CH 1/16W 12K	1	
R3026	ERJ3GEYJ393	M. RESISTOR CH 1/16W 39K	1	
R3027	ERJ3GEYJ472	M. RESISTOR CH 1/16W 4.7K	1	
R3028	ERJ3GEYJ331	M. RESISTOR CH 1/16W 330	1	
R3029	ERJ3RBD821	M. RESISTOR CH 1/16W 820	1	
R3030	ERJ3GEYJ561	M. RESISTOR CH 1/16W 560	1	
R3033	ERJ3RBD511	M. RESISTOR CH 1/16W 510	1	
R3034	ERJ3GEYOR00	M. RESISTOR CH 1/16W 0	1	
R3037	ERJ3RBD102	M. RESISTOR CH 1/16W 1K	1	
R3039	ERJ3RBD382	M. RESISTOR CH 1/16W 3.8K	1	
R3040	ERJ3GEYJ222	M. RESISTOR CH 1/16W 2.2K	1	
R3041	ERJ3GEYJ103	M. RESISTOR CH 1/16W 10K	1	
R3042	ERJ3GEYOR00	M. RESISTOR CH 1/16W 0	1	
R3043	ERJ3GEYJ102	M. RESISTOR CH 1/16W 1K	1	
R3045	ERJ3GEYJ183	M. RESISTOR CH 1/16W 18K	1	
R3050	ERJ3GEYJ102	M. RESISTOR CH 1/16W 1K	1	
R3057	ERJ3GEYJ103	M. RESISTOR CH 1/16W 10K	1	
R3058	ERJ3GEYJ182	M. RESISTOR CH 1/16W 1.8K	1	
R3059	ERJ3GEYJ821	M. RESISTOR CH 1/16W 820	1	
R3060	ERJ3RED620	M. RESISTOR CH 1/16W 62	1	
R4001	ERJ3GEYJ100	M. RESISTOR CH 1/16W 10	1	
R4002	ERJ3GEYJ184	M. RESISTOR CH 1/16W 180K	1	
R4004	ERJ3GEYJ472	M. RESISTOR CH 1/16W 4.7K	1	

Ref. No.	Part No.	Part Name & Description	Pcs	Remarks
R4005	ERJ3GEYJ394	M. RESISTOR CH 1/16W 390K	1	
R4008	ERJ3GEYJ473	M. RESISTOR CH 1/16W 47K	1	
R4007	ERJ3GEYJ223	M. RESISTOR CH 1/16W 22K	1	
R4008	ERJ3GEYJ102	M. RESISTOR CH 1/16W 1K	1	
R4009	ERJ3GEYJ225	M. RESISTOR CH 1/16W 2.2K	1	
R4010	ERJ3GEYJ271	M. RESISTOR CH 1/16W 270	1	
R4011	ERJ3GEYJ223	M. RESISTOR CH 1/16W 22K	1	
R4012	ERJ3GEYJ472	M. RESISTOR CH 1/16W 4.7K	1	
R4013	ERJ3GEYJ680	M. RESISTOR CH 1/16W 68	1	
R4014	ERJ3RBD153	M. RESISTOR CH 1/16W 15K	1	
R4015, 16	ERJ3GEYJ472	M. RESISTOR CH 1/16W 4.7K	2	
R4017	ERJ3GEYJ2R2	M. RESISTOR CH 1/16W 2.2	1	
R4018	ERJ3GEYJ561	M. RESISTOR CH 1/16W 560	1	
R4019	ERJ3GEYJ331	M. RESISTOR CH 1/16W 330	1	
R4020	ERJ3GEYJ104	M. RESISTOR CH 1/16W 100K	1	
R4021	ERJ3RBD683	M. RESISTOR CH 1/16W 68K	1	
R4022	ERJ3GEYJ101	M. RESISTOR CH 1/16W 100	1	
R4023	ERJ3RBD183	M. RESISTOR CH 1/16W 18K	1	
R4024	ERJ3GEYJ101	M. RESISTOR CH 1/16W 100	1	
R4025, 26	ERJ3GEYJ394	M. RESISTOR CH 1/16W 390K	2	
R4027, 28	ERJ3RBD183	M. RESISTOR CH 1/16W 18K	2	
R4029	ERJ3RBD103	M. RESISTOR CH 1/16W 10K	1	
R4030	ERJ3GEYJ223	M. RESISTOR CH 1/16W 22K	1	
R4031	ERJ3RBD203	M. RESISTOR CH 1/16W 20K	1	
R4032	ERJ3RBD151	M. RESISTOR CH 1/16W 150	1	
R4033	ERJ3GEYJ334	M. RESISTOR CH 1/16W 330K	1	
R4034	ERJ3GEYJ223	M. RESISTOR CH 1/16W 22K	1	
R4035	ERJ3GEYJ273	M. RESISTOR CH 1/16W 27K	1	
R4036	ERJ3GEYJ222	M. RESISTOR CH 1/16W 2.2K	1	
R4037	ERJ3RBD822	M. RESISTOR CH 1/16W 8.2K	1	
R4038	ERJ3GEYJ680	M. RESISTOR CH 1/16W 68	1	
R4040	ERJ3GEYJ102	M. RESISTOR CH 1/16W 1K	1	
R4041	ERJ3GEYJ822	M. RESISTOR CH 1/16W 8.2K	1	
R4042	ERJ3GEYJ183	M. RESISTOR CH 1/16W 18K	1	
R4044	ERJ3GEYJ101	M. RESISTOR CH 1/16W 100	1	
R4050	ERJ3RBD103	M. RESISTOR CH 1/16W 10K	1	
R4060	ERJ3GEYJ562	M. RESISTOR CH 1/16W 5.6K	1	
R4102	ERJ3GEYJ223	M. RESISTOR CH 1/16W 22K	1	
R4103	ERJ3GEYJ273	M. RESISTOR CH 1/16W 27K	1	
R4104	ERJ3GEYOR00	M. RESISTOR CH 1/16W 0	1	
R4106	ERJ3GEYJ102	M. RESISTOR CH 1/16W 1K	1	
R4107	ERJ3GEYJ105	M. RESISTOR CH 1/16W 1M	1	
R4801	ERJ6GEYJ561	M. RESISTOR CH 1/10W 560	1	
R4802	ERJ6GEYJ222	M. RESISTOR CH 1/10W 2.2K	1	
R4803	ERJ3GEYJ334	M. RESISTOR CH 1/16W 330K	1	
R4804	ERJ3RBD822	M. RESISTOR CH 1/16W 8.2K	1	
R4805	ERJ6GEYJ224	M. RESISTOR CH 1/10W 220K	1	
R4806	ERJ3GEYJ152	M. RESISTOR CH 1/16W 1.5K	1	
R4807	ERJ3GEYJ153	M. RESISTOR CH 1/16W 15K	1	
R4808, 09	ERJ3GEYJ823	M. RESISTOR CH 1/16W 82K	2	
R4811	ERJ3GEYJ103	M. RESISTOR CH 1/16W 10K	1	
R4812, 13	ERJ3GEYOR00	M. RESISTOR CH 1/16W 0	2	
R4814	ERJ3GEYJ102	M. RESISTOR CH 1/16W 1K	1	
R4815	ERJ3GEYJ121	M. RESISTOR CH 1/16W 120	1	
R4817	ERJ3GEYJ101	M. RESISTOR CH 1/16W 100	1	
R4818	ERJ6GEYJ124	M. RESISTOR CH 1/10W 120K	1	
R4818	ERJ3GEYJ561	M. RESISTOR CH 1/16W 560	1	
R4820	ERJ6GEYJ184	M. RESISTOR CH 1/10W 180K	1	
R4821	ERJ3RBD822	M. RESISTOR CH 1/16W 8.2K	1	
R4822	ERJ3GEYJ332	M. RESISTOR CH 1/16W 3.3K	1	
R5001	ERJ3GEYJ100	M. RESISTOR CH 1/16W 10	1	
R5002, 03	ERJ3GEYJ680	M. RESISTOR CH 1/16W 68	2	
R5004	ERJ3GEYJ332	M. RESISTOR CH 1/16W 3.3K	1	
R5005	ERJ3GEYG113	M. RESISTOR CH 1/16W 11K	1	
R5007	ERJ3GEYJ561	M. RESISTOR CH 1/16W 560	1	
R5008	ERJ6GEYJ4R7	M. RESISTOR CH 1/10W 4.7	1	
R5500	ERJ3GEYJ102	M. RESISTOR CH 1/16W 1K	1	
R5501	ERJ3GEYJ182	M. RESISTOR CH 1/16W 1.8K	1	
R5502	ERJ3GEYJ471	M. RESISTOR CH 1/16W 470	1	
R5503	ERJ3GEYJ182	M. RESISTOR CH 1/16W 1.8K	1	
R5504	ERJ3GEYJ183	M. RESISTOR CH 1/16W 18K	1	
R5505	ERJ3GEYJ222	M. RESISTOR CH 1/16W 2.2K	1	
R5506	ERJ3GEYJ823	M. RESISTOR CH 1/16W 82K	1	

Ref. No.	Part No.	Part Name & Description	Pcs	Remarks
R5507	ERJ3GEYJ222	M. RESISTOR CH 1/16W 2.2K	1	
R5508	ERJ3GEYJ102	M. RESISTOR CH 1/16W 1K	1	
R5510	ERJ3GEYJ102	M. RESISTOR CH 1/16W 1K	1	
R5513	ERJ3GEYJ225	M. RESISTOR CH 1/16W 2.2K	1	
R5514, 15	ERJ3GEYJ102	M. RESISTOR CH 1/16W 1K	2	
R5516	ERJ3GEYJ103	M. RESISTOR CH 1/16W 10K	1	
R5517	ERJ3GEYJ222	M. RESISTOR CH 1/16W 2.2K	1	
R5521	ERJ3GEYJ471	M. RESISTOR CH 1/16W 470	1	
R5522, 23	ERJ3GEYJ273	M. RESISTOR CH 1/16W 27K	2	
R5524	ERJ3GEYJ222	M. RESISTOR CH 1/16W 2.2K	1	
R5526, 27	ERJ3GEYJ102	M. RESISTOR CH 1/16W 1K	2	
R6001	ERJ3GEYJ821	M. RESISTOR CH 1/16W 820	1	
R6002	ERJ3GEYJ822	M. RESISTOR CH 1/16W 8.2K	1	
R6003	ERJ3GEYJ103	M. RESISTOR CH 1/16W 10K	1	
R6004	ERJ3GEYJ474	M. RESISTOR CH 1/16W 470K	1	
R6005	ERJ3GEYJ102	M. RESISTOR CH 1/16W 1K	1	
R6006	ERJ3GEYJ333	M. RESISTOR CH 1/16W 33K	1	
R6007	ERJ3GEYJ223	M. RESISTOR CH 1/16W 22K	1	
R6008	ERJ3GEYOR00	M. RESISTOR CH 1/16W 0	1	
R6009	ERJ3GEYJ103	M. RESISTOR CH 1/16W 10K	1	
R6010, 11	ERJ3GEYJ333	M. RESISTOR CH 1/16W 33K	2	
R6012	ERJ3GEYJ102	M. RESISTOR CH 1/16W 1K	1	
R6013	ERJ3GEYJ152	M. RESISTOR CH 1/16W 1.5K	1	
R6014	ERJ3GEYJ105	M. RESISTOR CH 1/16W 1M	1	
R6015	ERJ3GEYJ103	M. RESISTOR CH 1/16W 10K	1	
R6016	ERJ3GEYJ472	M. RESISTOR CH 1/16W 4.7K	1	
R6017	ERJ3GEYJ122	M. RESISTOR CH 1/16W 1.2K	1	
R6018	ERJ3GEYJ101	M. RESISTOR CH 1/16W 100	1	
R6019	ERJ3GEYJ472	M. RESISTOR CH 1/16W 4.7K	1	
R6020	ERJ3GEY8333	M. RESISTOR CH 1/16W 33K	1	
R6021-23	ERJ3GEYJ474	M. RESISTOR CH 1/16W 470K	3	
R6024	ERJ3GEYJ102	M. RESISTOR CH 1/16W 1K	1	
R6025	ERJ3GEYJ335	M. RESISTOR CH 1/16W 3.3M	1	
R6026	ERJ3GEY9223	M. RESISTOR CH 1/16W 22K	1	
R6027	ERJ6GEYJ221	M. RESISTOR CH 1/10W 220	1	
R6028	ERJ3GEYOR00	M. RESISTOR CH 1/16W 0	1	
R6029	ERJ3GEYJ304	M. RESISTOR CH 1/16W 30K	1	
R6030	ERJ3GEYJ103	M. RESISTOR CH 1/16W 10K	1	
R6031	ERJ3GEYJ222	M. RESISTOR CH 1/16W 2.2K	1	
R6032	ERJ3GEYJ472	M. RESISTOR CH 1/16W 4.7K	1	
R6033	ERJ3GEYJ333	M. RESISTOR CH 1/16W 33K	1	
R6034	ERJ3GEYJ103	M. RESISTOR CH 1/16W 10K	1	
R6035	ERJ3GEYJ102	M. RESISTOR CH 1/16W 1K	1	
R6036, 37	ERJ3GEYJ473	M. RESISTOR CH 1/16W 47K	2	
R6038	ERJ3GEYJ104	M. RESISTOR CH 1/16W 100K	1	
R6039, 40	ERJ3GEYJ331	M. RESISTOR CH 1/16W 330	2	
R6041	ERJ6GEYJ120	M. RESISTOR CH 1/8W 12	1	
R6042	ERJ3GEYJ223	M. RESISTOR CH 1/16W 22K	1	
R6043	ERJ3GEYJ883	M. RESISTOR CH 1/16W 88K	1	
R6044	ERJ3GEYJ331	M. RESISTOR CH 1/16W 330	1	
R6045	ERJ3GEYJ151	M. RESISTOR CH 1/16W 150	1	
R6046	ERJ3GEYJ105	M. RESISTOR CH 1/16W 1M	1	
R6047	ERJ3GEYJ103	M. RESISTOR CH 1/16W 10K	1	
R6051	ERJ3GEYJ333	M. RESISTOR CH 1/16W 33K	1	
R6052	ERJ3GEYJ822	M. RESISTOR CH 1/16W 8.2K	1	
R6053	ERJ3GEYJ472	M. RESISTOR CH 1/16W 4.7K	1	
R6054	ERJ3GEYJ103	M. RESISTOR CH 1/16W 10K	1	
R6055	ERJ3GEYOR00	M. RESISTOR CH 1/16W 0	1	
R6057	ERJ3GEYJ472	M. RESISTOR CH 1/16W 4.7K	1	
R6058	ERJ3RBD183	M. RESISTOR CH 1/16W 18K	1	
R6059	ERJ3RBD433	M. RESISTOR CH 1/16W 47K	1	
R6060	ERJ3GEYJ222	M. RESISTOR CH 1/16W 2.2K	1	
R6061	ERJ3GEYJ105	M. RESISTOR CH 1/16W 1M	1	
R6062, 63	ERJ3GEYJ473	M. RESISTOR CH 1/16W 47K	2	
R6064	ERJ3RBD363	M. RESISTOR CH 1/16W 36K	1	
R6065	ERJ3GEYJ473	M. RESISTOR CH 1/16W 47K	1	
R6066	ERJ3GEYJ882	M. RESISTOR CH 1/16W 8.8K	1	
R6067	ERJ3GEYJ124	M. RESISTOR CH 1/16W 120K	1	
R6068	ERJ3GEYJ474	M. RESISTOR CH 1/16W 470K	1	
R6069	ERJ3GEYJ334	M. RESISTOR CH 1/16W 330K	1	
R6070	ERJ3GEYJ392	M. RESISTOR CH 1/16W 3.9K	1	
R6071	ERJ3GEYJ222	M. RESISTOR CH 1/16W 2.2K	1	
R6072	ERJ3GEYJ683	M. RESISTOR CH 1/16W 68K	1	
R6073	ERJ3GEYJ222	M. RESISTOR CH 1/16W 2.2K	1	
R6074	ERJ3GEYJ103	M. RESISTOR CH 1/16W 10K	1	

Ref. No.	Part No.	Part Name & Description	Pcs	Remarks
R6075	ERJ3GEYJ102	M. RESISTOR CH 1/16W 1K	1	
R6076, 77	VLP0175	COIL	2	
R6078	ERJ3GEYJ103	M. RESISTOR CH 1/16W 10K	1	
R6079	ERJ3GEYJ102	M. RESISTOR CH 1/16W 1K	1	
R6080	ERJ3GEYJ332	M. RESISTOR CH 1/16W 3.3K	1	
R6082	ERJ3GEYJ683	M. RESISTOR CH 1/16W 68K	1	
R6083	ERJ3GEYJ102	M. RESISTOR CH 1/16W 1K	1	
R6084	ERJ3GEYJ472	M. RESISTOR CH 1/16W 4.7K	1	
R6085, 86	ERJ3GEYJ223	M. RESISTOR CH 1/16W 22K	2	
R6087	ERJ3GEYJ273	M. RESISTOR CH 1/16W 27K	1	
R6088, 89	ERJ3GEYJ102	M. RESISTOR CH 1/16W 1K	2	
R6090	ERJ3GEYJ154	M. RESISTOR CH 1/16W 150K	1	
R6091	ERJ3GEYJ121	M. RESISTOR CH 1/16W 120	1	
R6092	ERJ3GEYJ472	M. RESISTOR CH 1/16W 4.7K	1	
R6093	ERJ3RBD153	M. RESISTOR CH 1/16W 15K	1	
R6094	ERJ3GEYJ472	M. RESISTOR CH 1/16W 4.7K	1	
R6095	ERJ3GEYJ151	M. RESISTOR CH 1/16W 150	1	
R6096	VLP0175	COIL	1	
R6097	ERJ3GEYJ472	M. RESISTOR CH 1/16W 4.7K	1	
R6098	ERJ3GEYJ223	M. RESISTOR CH 1/16W 22K	1	
R6099	ERJ3GEYJ393	M. RESISTOR CH 1/16W 39K	1	
R6100	ERJ3GEYJ683	M. RESISTOR CH 1/16W 68K	1	
R6101	ERJ3GEYJ222	M. RESISTOR CH 1/16W 2.2K	1	
R6103	ERJ3GEYJ223	M. RESISTOR CH 1/16W 22K	1	
R6104	ERJ3GEYJ102	M. RESISTOR CH 1/16W 1K	1	
R6105	ERJ3GEYJ104	M. RESISTOR CH 1/16W 100K	1	
R6106	ERJ3RBD333	M. RESISTOR CH 1/16W 33K	1	
R6107	ERJ3RBD823	M. RESISTOR CH 1/16W 82K	1	
R6108	ERJ3GEYJ102	M. RESISTOR CH 1/16W 1K	1	
R6109	ERJ3GEYJ104	M. RESISTOR CH 1/16W 100K	1	
R6110	ERJ3GEYJ471	M. RESISTOR CH 1/16W 470	1	
R6111	ERJ3GEYJ334	M. RESISTOR CH 1/16W 330K	1	
R6112	ERJ3GEYJ104	M. RESISTOR CH 1/16W 100K	1	
R6113-15	ERJ3GEYJ102	M. RESISTOR CH 1/16W 1K	3	
R6116	ERJ3GEYJ683	M. RESISTOR CH 1/16W 68K	1	
R6117	ERJ3GEYJ103	M. RESISTOR CH 1/16W 10K	1	
R6118	ERJ3GEYJ683	M. RESISTOR CH 1/16W 68K	1	
R6119, 20	ERJ3GEYJ473	M. RESISTOR CH 1/16W 47K	2	
R6121	ERJ3GEYJ102	M. RESISTOR CH 1/16W 1K	1	
R6122	ERJ3GEYJ224	M. RESISTOR CH 1/16W 220K	1	
R6123	ERJ3RBD153	M. RESISTOR CH 1/16W 15K	1	
R6124	ERJ68EYJ221	M. RESISTOR CH 1/10W 220	1	
R6126	ERJ3GEYJ152	M. RESISTOR CH 1/16W 1.5K	1	
R6128	ERJ3GEYJ471	M. RESISTOR CH 1/16W 470	1	
R6129	ERJ3GEYOR00	M. RESISTOR CH 1/16W 0	1	
R6131	ERJ3GEYJ683	M. RESISTOR CH 1/16W 68K	1	
R6132, 33	ERJ3GEYJ102	M. RESISTOR CH 1/16W 1K	2	
R6140	ERJ3GEYJ47R	M. RESISTOR CH 1/16W 4.7	1	
R6203	ERJ3GEYJ821	M. RESISTOR CH 1/16W 820	1	
R6204	ERJ3GEYJ824	M. RESISTOR CH 1/16W 820K	1	
R6205	ERJ3GEYOR00	M. RESISTOR CH 1/16W 0	1	
R6206	ERJ3GEYJ274	M. RESISTOR CH 1/16W 270K	1	
R6207	ERJ3GEYJ472	M. RESISTOR CH 1/16W 4.7K	1	
R6211	ERJ3GEYJ474	M. RESISTOR CH 1/16W 470K	1	
R6801	ERJ86EYJ101	M. RESISTOR CH 1/8W 100	1	
R6802	ERJ3GEYJ181	M. RESISTOR CH 1/16W 180	1	
R#301	ERJ86EYOR00	M. RESISTOR CH 1/8W 0	1	NV-VX57EG/E NV-VX54B
RA301	EXBV4V104J	RESISTOR-RESISTOR	1	
RA602	EXBV4VR000	RESISTOR-RESISTOR	1	
RA604	EXBV4V223J	RESISTOR-RESISTOR	1	
RA704	EXBV4V473J	RESISTOR-RESISTOR	1	
RA8001	EXBV8V102J	RESISTOR-RESISTOR	1	
RA8002	EXBV4V102J	RESISTOR-RESISTOR	1	
RA8003	EXBV8V102J	RESISTOR-RESISTOR	1	
RA8004	EXBV4V683J	RESISTOR-RESISTOR	1	
RA8006	EXBV4V683J	RESISTOR-RESISTOR	1	
RA8007	EXBV8V683J	RESISTOR-RESISTOR	1	
RA8008	EXBV4V683J	RESISTOR-RESISTOR	1	
RA8009	EXBV4V272J	RESISTOR-RESISTOR	1	
RA8010	EXBV8V102J	RESISTOR-RESISTOR	1	
RA8011	EXBV4V683J	RESISTOR-RESISTOR	1	
RA8013	EXBV4V101J	RESISTOR-RESISTOR	1	

Ref. No.	Part No.	Part Name & Description	Pcs	Remarks
RA6014	EXBV4V332J	RESISTOR-RESISTOR	1	
T1001	ELL04T081R	TRANSFORMER	1	
T4001	E008QB008T	TRANSFORMER	1	
W3002	VLP0184	COIL	1	
X301	VSX1050	CRYSTAL OSCILLATOR	1	
X601	VSX0872	CRYSTAL OSCILLATOR	1	
X8001	VSX0917	CRYSTAL OSCILLATOR	1	
X8003	VSX0601	CRYSTAL OSCILLATOR	1	
		MISCELLANEOUS		
	VMZ2871	BARRIER	1	NV-VX57EG/E NV-VX54B
	VMZ2947	BARRIER	1	NV-VX57EG/E NV-VX54B
	VEP26215A	MONITOR C. B. A.		(RTL)
C901	ECUX1H103KBV	C. CAPACITOR CH 50V 0.01U	1	
C902	ECST0JY106Z	T. CAPACITOR CH 6.3V 10U	1	
C904	ECUM0J225KBN	C. CAPACITOR CH 6.3V 2.2U	1	
C905	ECUX1C104KBV	C. CAPACITOR CH 16V 0.1U	1	
C907	ECUX1H103KBV	C. CAPACITOR CH 50V 0.01U	1	
C908	ECUX1C104KBV	C. CAPACITOR CH 16V 0.1U	1	
C909	ECUM1A105KBN	C. CAPACITOR CH 10V 1U	1	
C910	ECST0JY106Z	T. CAPACITOR CH 6.3V 10U	1	
C911	ECUX1C104KBV	C. CAPACITOR CH 16V 0.1U	1	
C912, 13	ECUM0J225KBN	C. CAPACITOR CH 6.3V 2.2U	2	
C914	ECST1EX475Z	T. CAPACITOR CH 25V 4.7U	1	
C915	ECUM1C106VBP	C. CAPACITOR CH 16V 10U	1	
C916	ECUX1C333KBV	C. CAPACITOR CH 16V 0.033U	1	
C917	ECUX1H103KBV	C. CAPACITOR CH 50V 0.01U	1	
C918, 19	ECST0JY106Z	T. CAPACITOR CH 6.3V 10U	2	
C925, 26	ECUX1H103KBV	C. CAPACITOR CH 50V 0.01U	2	
C927	ECUX1C104KBV	C. CAPACITOR CH 16V 0.1U	1	
C930	ECUM1C225KB	C. CAPACITOR CH 16V 2.2U	1	
C931	ECUM1C105ZFN	C. CAPACITOR CH 16V 1U	1	
C932	ECUM1A225KBM	C. CAPACITOR CH 10V 2.2U	1	
C933	ECUX1H103KBV	C. CAPACITOR CH 50V 0.01U	1	
C935-37	ECUX1H470JCV	C. CAPACITOR CH 50V 47P	3	
C938, 39	ECST0JY106Z	T. CAPACITOR CH 6.3V 10U	2	
C940	ECUX1H103KBV	C. CAPACITOR CH 50V 0.01U	1	
C941	ECUX1H270JCV	C. CAPACITOR CH 50V 27P	1	
C942	ECUM1A105KBN	C. CAPACITOR CH 10V 1U	1	
D901	MA111	DIODE	1	
D902	MA133	DIODE	1	
FP901	VJS3320B024	CONNECTOR (FEMALE) 24P	1	
FP902	VJS3320B006	CONNECTOR (FEMALE) 6P	1	
IC901	S80827ANNP	IC	1	
IC903	F432180APM	IC	1	
IC904	XC82FP3002MR	IC	1	
IC906	TA75S558F	IC	1	
L901	VL00319K101	COIL 100UH	1	
L902	ELJPA470KB	COIL 47UH	1	
L903	ELJFA470JB	CHIP INDUCTOR 47UH	1	
L904	VL00319K100	COIL 10UH	1	
L905-08	ELJPA470KB	COIL 47UH	4	
L910	ELJPA470KB	COIL 47UH	1	
LB901	VLP0180	COIL	1	
P901	VJP4002B010P	CONNECTOR (MALE) 10P	1	
P902	VJP4002B012P	CONNECTOR (MALE) 12P	1	
Q901	XP4501	TRANSISTOR-TRANSISTOR	1	
Q902, 03	XP4801	TRANSISTOR-TRANSISTOR	2	
Q904	XP4501	TRANSISTOR-TRANSISTOR	1	
Q905	2SK2159	TRANSISTOR	1	

Ref.No.	Part No.	Part Name & Description	Pcs	Remarks
Q906-Q9	XP4801	TRANSISTOR-TRANSISTOR	4	
Q910	2SB1482-R	TRANSISTOR	1	
Q911	XP1501	TRANSISTOR-TRANSISTOR	1	
QR001	UN9111	TRANSISTOR-RESISTOR	1	
R901-Q3	ERJ3GEYJ101	M. RESISTOR CH 1/16W 100	3	
R904-Q8	ERJ3GEYJ103	M. RESISTOR CH 1/16W 10K	3	
R907	ERJ3GEYJ104	M. RESISTOR CH 1/16W 100K	1	
R908	ERJ3GEYJ220	M. RESISTOR CH 1/16W 22	1	
R909	ERJ3RBD223	M. RESISTOR CH 1/16W 22K	1	
R910	ERJ3RBD103	M. RESISTOR CH 1/16W 10K	1	
R911	ERJ3RBD391	M. RESISTOR CH 1/16W 390	1	
R912	ERJ3RBD273	M. RESISTOR CH 1/16W 27K	1	
R913	ERJ3GEYJ824	M. RESISTOR CH 1/16W 820K	1	
R914	ERJ3GEYJ473	M. RESISTOR CH 1/16W 47K	1	
R915	ERJ3GEYJ475	M. RESISTOR CH 1/16W 4.7M	1	
R916	ERJ3GEYJ103	M. RESISTOR CH 1/16W 10K	1	
R917	ERJ3GEYJ102	M. RESISTOR CH 1/16W 1K	1	
R919	ERJ3GEYJ270	M. RESISTOR CH 1/16W 27	1	
R920	ERJ3GEYJ332	M. RESISTOR CH 1/16W 3.3K	1	
R921	ERJ6GEYJ335	M. RESISTOR CH 1/10W 3.3M	1	
R922	ERJ3GEYJ101	M. RESISTOR CH 1/16W 100	1	
R923	ERJ3RBD273	M. RESISTOR CH 1/16W 27K	1	
R924	ERJ3GEYJ562	M. RESISTOR CH 1/16W 5.6K	1	
R925	ERJ3RBD273	M. RESISTOR CH 1/16W 27K	1	
R926	ERJ3GEYJ562	M. RESISTOR CH 1/16W 5.6K	1	
R927	ERJ3GEYJ273	M. RESISTOR CH 1/16W 27K	1	
R928	ERJ3GEYJ153	M. RESISTOR CH 1/16W 15K	1	
R929	ERJ3GEYJ511	M. RESISTOR CH 1/16W 510	1	
R930	ERJ3GEYJ152	M. RESISTOR CH 1/16W 1.5K	1	
R931	ERJ3GEYJ103	M. RESISTOR CH 1/16W 10K	1	
R932	ERJ3GEYOR00	M. RESISTOR CH 1/16W 0	1	
R933	ERJ3GEYJ103	M. RESISTOR CH 1/16W 10K	1	
R934	ERJ3GEYJ561	M. RESISTOR CH 1/16W 560	1	
R935	ERJ3GEYJ123	M. RESISTOR CH 1/16W 12K	1	
R936	ERJ3GEYJ103	M. RESISTOR CH 1/16W 10K	1	
R937, 38	ERJ6GEYJ335	M. RESISTOR CH 1/8W 3.3M	2	
R939	ERJ3RBD821	M. RESISTOR CH 1/16W 820	1	
R940-42	ERJ3RBD392	M. RESISTOR CH 1/16W 3.9K	3	
R947-49	ERJ3RBD104	M. RESISTOR CH 1/16W 100K	3	
R950-55	ERJ3GEYJ393	M. RESISTOR CH 1/16W 39K	6	
R956	ERJ3RBD153	M. RESISTOR CH 1/16W 15K	1	
R958, 59	ERJ3GEYJ103	M. RESISTOR CH 1/16W 10K	2	
R965	ERJ3GEYJ474	M. RESISTOR CH 1/16W 470K	1	
R968	ERJ3GEYJ893	M. RESISTOR CH 1/16W 89K	1	
R969	ERJ3GEYJ221	M. RESISTOR CH 1/16W 220	1	
R970	ERJ3RED184	M. RESISTOR CH 1/16W 180K	1	
R971	ERJ3GEYJ221	M. RESISTOR CH 1/16W 220	1	
R972	ERJ3GEYOR00	M. RESISTOR CH 1/16W 0	1	
R973	ERJ3RED154	M. RESISTOR CH 1/16W 150K	1	
R974	ERJ3GEYJ221	M. RESISTOR CH 1/16W 220	1	
R975, 78	ERJ3GEYJ102	M. RESISTOR CH 1/16W 1K	2	
R977-79	ERJ3GEYJ561	M. RESISTOR CH 1/16W 560	3	
T901	ETJ09K44A2	CHIP TRANSFORMER	1	
T902	EFTU21R202	TRANSFORMER	1	
X901	EF0B1605E5	CERAMIC OSCILLATOR	1	
	VEP28259A	E. V. F. C. B. A.	(RTL)	
C801	ECQV1H104JL	P. CAPACITOR 50V 0.1U	1	
C802	ECA1CKF470	E. CAPACITOR 16V 47U	1	
C803, 04	ECUM1C1052FN	C. CAPACITOR CH 16V 1U	2	
C805	ECEA0JKE221	E. CAPACITOR 6.3V 220U	1	
C806	ECUM1H123KBN	C. CAPACITOR CH 50V 0.012U	1	
C807	ECUM1C105KBM	C. CAPACITOR CH 16V 1U	1	
C809	ECA1CKF470	E. CAPACITOR 16V 47U	1	
C811	VCEA1ACC101	E. CAPACITOR 10V 100U	1	
C812	ECUM1H180JCN	C. CAPACITOR CH 50V 18P	1	
C813	ECUM2J221KBM	C. CAPACITOR CH 630V 220P	1	
C814	VCEA1HCC010	E. CAPACITOR 50V 100U	1	
C815	ECUM2H331KBM	C. CAPACITOR CH 500V 330P	1	

Ref.No.	Part No.	Part Name & Description	Pcs	Remarks
C816	ECUM1C104KBN	C. CAPACITOR CH 16V 0.1U	1	
C818	ECUM1H390JCN	C. CAPACITOR CH 50V 39P	1	
C831, 32	ECUM1H104ZFN	C. CAPACITOR CH 50V 0.1U	2	
C833	ECUM2A472JUM	C. CAPACITOR CH 100V 4700P	1	
D803	MA142WA	DIODE	1	
D804	MA143A	DIODE	1	
IC801	AN2516S	IC	1	
L801	ELJPA220KB	COIL 22UH	1	
L802	ELH5L3101	COIL	1	
L804	VL00426J680	COIL 68UH	1	
L806	VL00426J330	COIL 33UH	1	
P801	VJP1597T	CONNECTOR (MALE) 4P	1	
P802	VJP3318A004	CONNECTOR (MALE) 4P	1	
P803	VJP1598T	CONNECTOR (MALE) 3P	1	
P804	VJP1228A	CONNECTOR (MALE) 2P	1	
Q802	2SD968A-S	TRANSISTOR	1	
Q803, 04	2SB1218A	TRANSISTOR	2	
R801	ERJ6ENF4422	M. RESISTOR CH 1/10W 2.2K	1	
R802	ERJ6GEYJ3R9	M. RESISTOR CH 1/10W 3.9	1	
R804	ERJ3GEYJ122	M. RESISTOR CH 1/16W 1.2K	1	
R806	ERJ3GEYJ122	M. RESISTOR CH 1/16W 1.2K	1	
R807	ERJ6GEYJ150	M. RESISTOR CH 1/10W 15	1	
R808	ERJ3RBD242	M. RESISTOR CH 1/16W 2.4K	1	
R809	ERJ6GEYJ584	M. RESISTOR CH 1/10W 580K	1	
R810	ERJ6RBD104	M. RESISTOR CH 1/10W 100K	1	
R811	ERJ6GEYJ105	M. RESISTOR CH 1/10W 1M	1	
R815	ERJ6GEYJ102	M. RESISTOR CH 1/10W 1K	1	
R816	ERJ6GEYJ222	M. RESISTOR CH 1/10W 2.2K	1	
R817	ERJ6GEYJ472	M. RESISTOR CH 1/10W 4.7K	1	
R818	ERJ6GEYJ223	M. RESISTOR CH 1/10W 22K	1	
R819	ERJ6GEYJ275	M. RESISTOR CH 1/8W 2.7M	1	
R820	ERJ6GEYJ335	M. RESISTOR CH 1/8W 3.3M	1	
R821	ERJ6GEYJ105	M. RESISTOR CH 1/10W 1M	1	
R823	ERJ6GEYJ6R2	M. RESISTOR CH 1/10W 6.2	1	
R829	ERJ6ENF4222	M. RESISTOR CH 1/10W 2.2K	1	
R833	ERJ3GEYJ182	M. RESISTOR CH 1/16W 1.8K	1	
R834	ERJ6GEYJ122	M. RESISTOR CH 1/10W 1.2K	1	
R835	ERJ6GEYJ223	M. RESISTOR CH 1/10W 22K	1	
R836	ERJ6GEYJ105	M. RESISTOR CH 1/10W 1M	1	
R840	ERJ6GEYJ108	M. RESISTOR CH 1/8W 10M	1	
R841	ERJ6GEYJ825	M. RESISTOR CH 1/8W 8.2M	1	
R842	ERJ6GEYJ108	M. RESISTOR CH 1/8W 10M	1	
R843	ERJ6GEYJ825	M. RESISTOR CH 1/8W 8.2M	1	
R844	ERJ3GEYJ270	M. RESISTOR CH 1/16W 27	1	
R845	ERJ6GEYJ221	M. RESISTOR CH 1/10W 220	1	
R850	ERJ6RBD822	M. RESISTOR CH 1/10W 8.2K	1	
R851	ERJ3RBD392	M. RESISTOR CH 1/16W 3.9K	1	
R852	ERJ6GEYJ822	M. RESISTOR CH 1/10W 8.2K	1	
R853	ERJ6GEYJ103	M. RESISTOR CH 1/10W 10K	1	
S801	VEE0C17	CRT SOCKET	1	
T801	ETF08L202A	FLYBACK TRANSFORMER	1	
VR801	VRV0292B221	VARIABLE RESISTOR	1	
VR803	EVMLS0A00BV6	TRIMMER POTENTIOMETERS	1	
VR804	VRV0292B474	VARIABLE RESISTOR	1	
	VEK8760	MIC UNIT		
C8801	ECA0JM221	E. CAPACITOR 6.3V 220U	1	
C8802	ECKF1H102KB	C. CAPACITOR 50V 1000P	1	
D8801	BR2202S-20B1	DIODE	1	
D8802	PH310	DIODE	1	
D8807	DN318U	LED (RED)	1	
D8808	S1R568ST3FRS	LED (RED)	1	

Ref. No.	Part No.	Part Name & Description	Pcs	Remarks
FL6801	VLF1445	FILTER	1	
FP6801	VJS3913A017	CONNECTOR (FEMALE) 17P	1	
IC6801	RPM9937-V4	IC	1	
JK6801	VJJ0299	MIC JACK	1	
L6801	VLQEL05S101K	COIL 100UH	1	
LB6801	VLP0153	COIL	1	
P6802	VJP3331B004	CONNECTOR (MALE) 4P	1	
SW6801	VSP1083	OLUX SWITCH	1	
W6801-03	VWJ0120	FLAT CARD CABLE	3	
		MISCELLANEOUS		
	VQ05187	IR HOLDER	1	
	VWJ17XW05OLL	FLAT CARD CABLE	1	
	VYQ1725	FILTER KNOB	1	
	XQN2+BJ4	SCREW	1	
	VQ04709	BARRIER	1	
■	VEP22276A	CCD FLEX. CARD C. B. A.		(RTL)
Q292	ECST1VX225Z	T. CAPACITOR CH 35V 2.2U	1	
Q295	ECUM1E104ZFN	C. CAPACITOR CH 25V 0.1U	1	
D291	MA153	DIODE	1	
PS291	VJS3500C012	CONNECTOR (FEMALE) 12P	1	
Q291	2SC2295	TRANSISTOR	1	
R291	ERJ8GEYJ580	M. RESISTOR CH 1/10W 56	1	
R292	ERJ8GEYJ152	M. RESISTOR CH 1/10W 1.5K	1	
R293	ERJ8GEYOR00	M. RESISTOR CH 1/10W 0	1	
		MISCELLANEOUS		
	VJB22278	FLEX. CARD	1	
■	VXP1938	MF RING UNIT		
PC710.11	SG-211S	PHOTO INTERRUPTER	2	
		MISCELLANEOUS		
	XQN18+CJ5FZ	SCREW	4	
■	VEP08C50A	SENSOR FLEX. C. B. A.		(RTL)
IC991.02	DN8797MSC	IC	2	

Ref. No.	Part No.	Part Name & Description	Pcs	Remarks
----------	----------	-------------------------	-----	---------